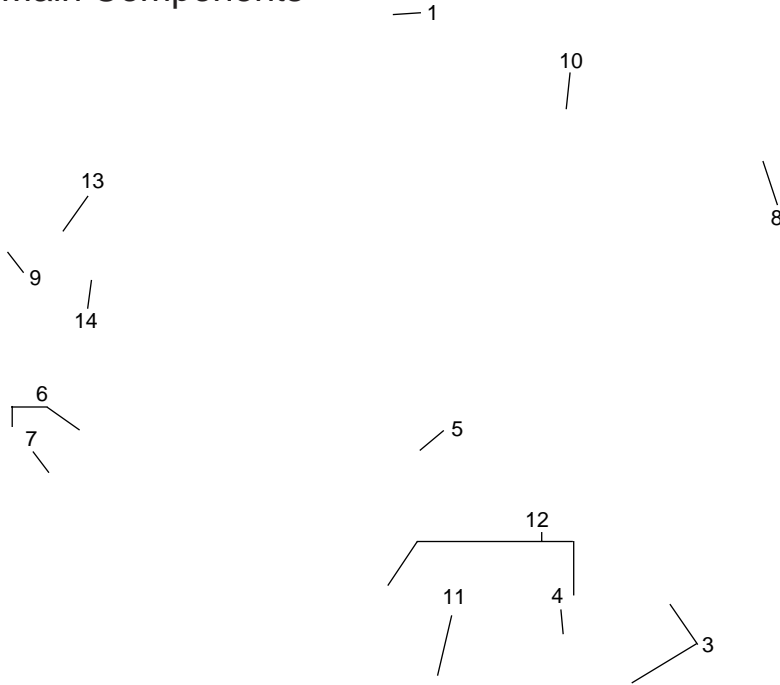


Main Components

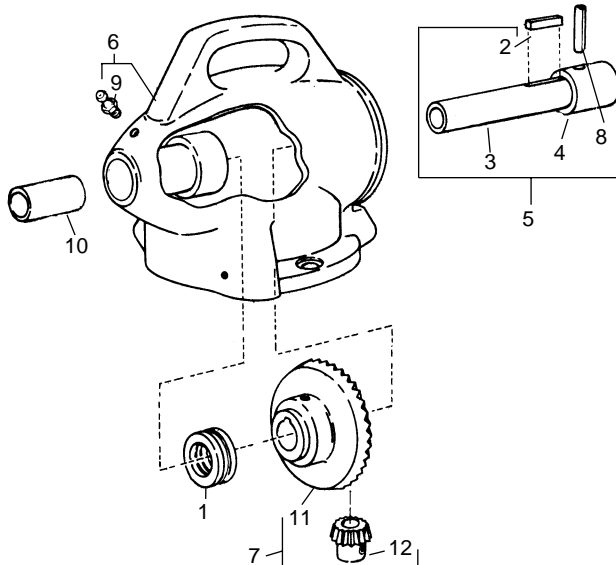


NOTE: Order parts by Catalog Number only.  
DO NOT order by Reference Number.

Ref. No.	Catalog No.	Description
1	59785	A-210 Screw (2)
2	60910	A-300 Screw (2)
3	50507	A-2435 Cord with GFCI
	27656	Cord (Europe)
4	41147	Strain Relief
5	61935	B-18S2 Insulating Motor Gasket
6	59825	A-2144 Legs w/Rubber Feet (3 per set)
		(Incl. Ref. No. 7)
7	59965	A-2240 Rubber Feet (3)
8	59975	A-2244-X Rack and Pinion Assembly
9	59990	A-2256 Screw (2)
10	59450	A-3179 Clutch Jaw Assembly
11	76785	A-3198 Switch (Gould/Century)
	95845	Switch DPDT - 6 Poles
		(Emerson Motor)
	41817	Switch 3PDT - 9 Poles
		(Emerson Motor)
	24236	Switch (Europe)
12	69265	A-3449 Motor Assembly - 115V
		(Incl. Ref. Nos. 4 and 11)
	16716	Motor Assembly (230V Europe)
*	31336	Motor Shaft Seal (Europe)
*	31346	Switch Cover (Europe)
*	24246	Switch Box (Europe)
*	29976	Run Capacitor (Europe)
13	89800	A-6116 Catch
14	89805	A-6117 Pin

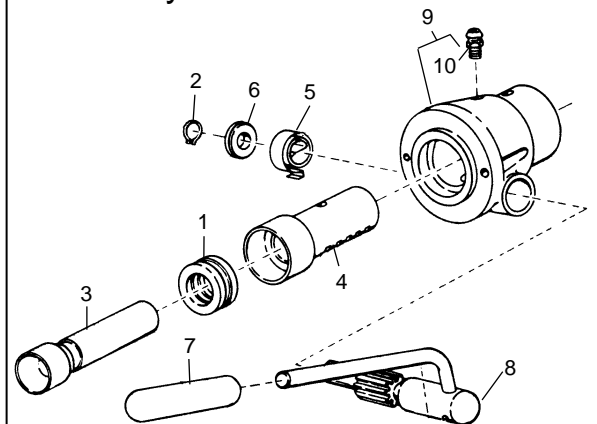
\* Parts Not Shown - Europe Only

Bevel Gear and Related Parts



Ref. No.	Catalog No.	Description	Ref. No.	Catalog No.	Description
1	59945	A-221 Bearing	7	60985	A-3030 Bevel and Pinion Gear w/Set Screws
2	60680	A-270 Key	8	76830	A-3605 Spring Pin
3	61570	A-568 Shaft	9	89810	A-6150 Grease Fitting
4	61575	A-569 Cone	10	61715	A-748 Bronze Bushing
5	59695	A-1876 Shaft with Cone	11	24577	A-2246 Bevel Gear w/Key
6	59960	A-2239 Body	12	24572	A-1898 Pinion Gear w/Key

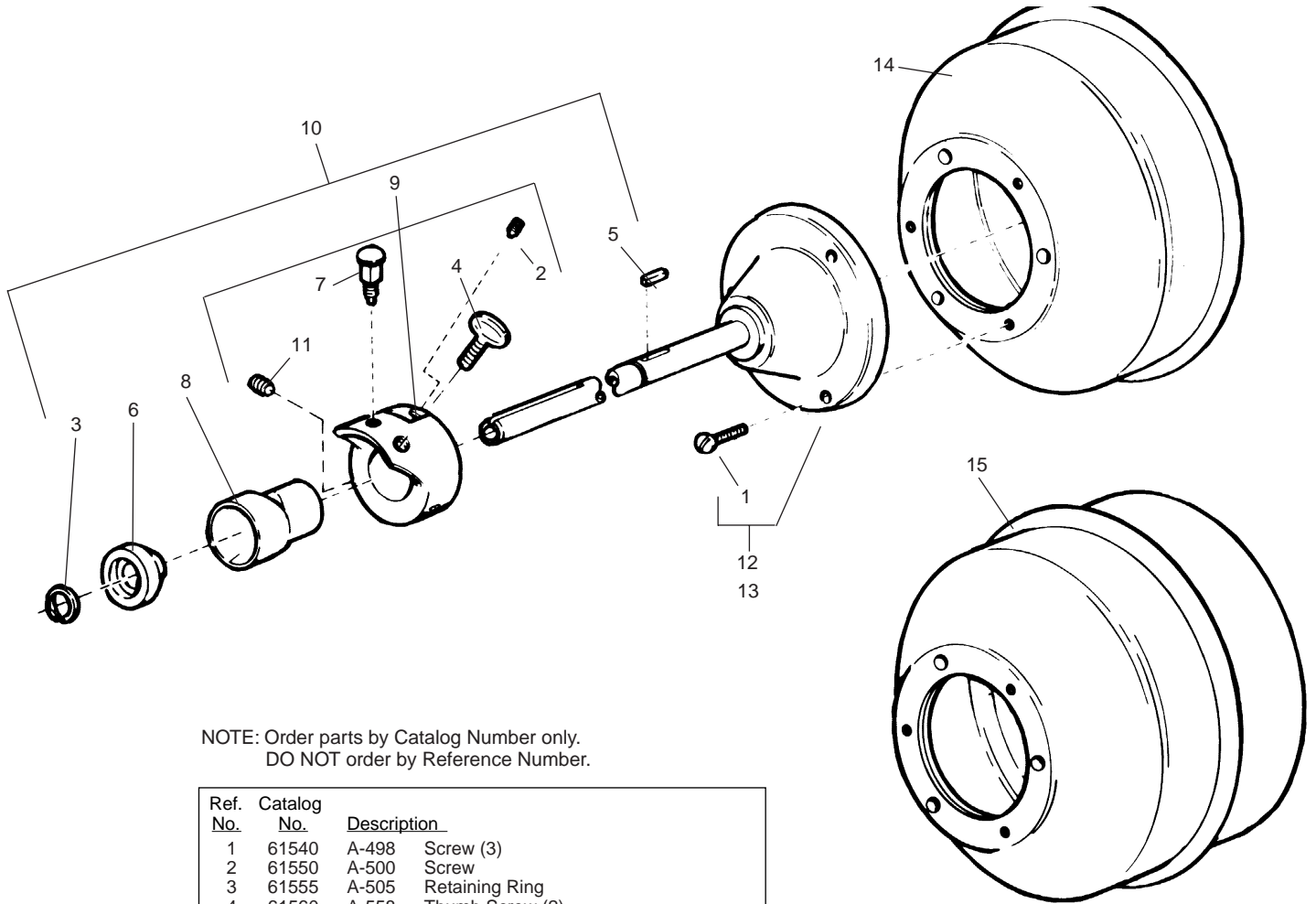
Pack and Pinion Assembly No. A-2244



Ref. No.	Catalog No.	Description
-	59975	A-2244 Rack & Pinion Assembly
1	59945	A-221 Bearing
2	60860	A-297 Retaining Ring
3	61580	A-574 Rear Clutch Cone Sleeve
4	61585	A-575 Gear Rack
5	61595	A-578 Pinion Spring
6	61600	A-579 Pinion Stem Washer
7	61605	A-580 Handle Grip
8	59980	A-2245 Handle with Pinion Assembly
9	60965	A-3026 Rack and Pinion Housing
		(Incl. Ref. No. 10)
10	89810	A-6150 Grease Fitting

**Cable Adapters**

Cable No.	Description
59250	A-17-A Cable Adapter (Includes C-1 Cable - 5/16" x 25ϕlong with Bulb Auger)
59245	A-17-A Cable Adapter - Less Cable
59255	A-17-B Cable Adapter (Includes C-5 Cable - 3/8" x 35ϕlong with Bulb Auger)
59260	A-17-B Cable Adapter - Less Cable
59265	A-17-C Cable Adapter (Includes C-6 Cable - 3/8" x 35ϕlong with Male Coupling)
59260	A-17-C Cable Adapter - Less Cable
92095	A-17-D Cable Adapter (Includes C-21 Cable - 5/16" x 50ϕlong with Bulb Auger)
92100	A-17-E Cable Adapter (Includes C-22 Cable - 5/16" x 50ϕlong with Drop Head Auger)



NOTE: Order parts by Catalog Number only.  
DO NOT order by Reference Number.

Ref. No.	Catalog No.	Description
1	61540	A-498 Screw (3)
2	61550	A-500 Screw
3	61555	A-505 Retaining Ring
4	61560	A-558 Thumb Screw (2)
5	61565	A-559 Key
6	61735	A-778 Brake Cone (Male)
7	59510	A-1189 Plunger Pin
8	59630	A-1665 Brake Cone (Female)
9	59760	A-2071 Adapter Bracket (Incl. Ref. Nos. 7, 4, 2 and 11)
10	59790	A-2126 Adapter Bracket Assembly (Incl. Ref. Nos. 3, 5, 6, 8 and 9)
11	60025	A-2271 Screw (2)
12	60325	A-2469 Tube and Flange with Screws (5/16" Cable Adapter) (Incl. Ref. No. 1)
13	60335	A-2470 Tube and Flange with Screws (3/8" Cable Adapter) (Incl. Ref. No. 1)
14	63255	C-2338 Cable Container (5/16" x 25ϕCable Only)
15	63250	C-2339 Cable Container (3/8" x 35ϕand 5/16" x 50ϕCable)