

EAN: 6414150074882

[www.oras.com/en/products/oras/product/5512B](http://www.oras.com/en/products/oras/product/5512B)



Oras Medipro washbasin faucet with disinfection wash proof Bidetta shower set. Firm loop-lever offers good usability to all users and situations. Fixed spout and laminar flow. Shower hose 1.5 m, wall bracket, two pairs of quick-release couplings. Special flexible connection pipes with G3/8" nut.

- Health & Care
- Single lever
- Deck mounted
- Chrome
- Fixed spout
- HONEYCOMB® with improved lime protection
- Loop lever, Lever with H+C symbol
- integrated diverter with automatic reset
- hand shower, shower hose (1500 mm), shower holder
- sensitive
- Bidetta hand shower
- Laminar flow
- waterways without nickel coating, surfaces in contact with drinking water contain less than 0.3% lead, disinfection proof (max. +95°C)

## Technical data

### Flow properties

Flow-rate at 300 kPa	<b>0.13 l/s</b>
Pressure loss with flow (0.1 l/s)	<b>180 kPa</b>

### Technical properties

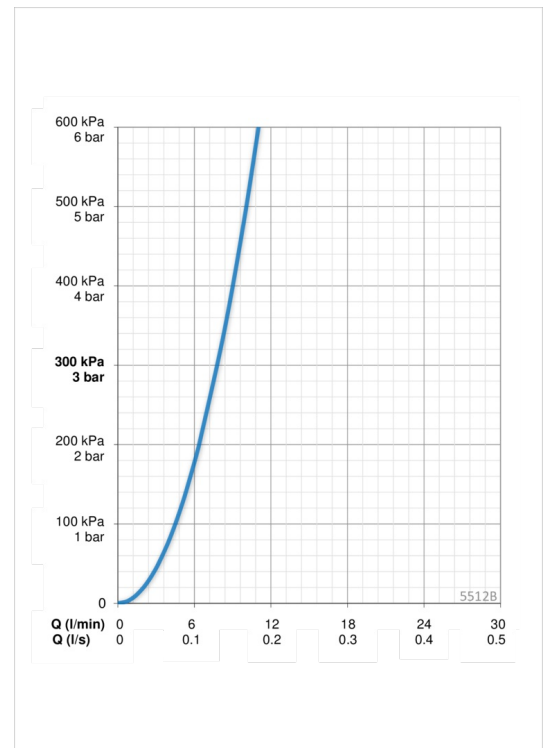
Hot water supply	<b>max. +80°C</b>
Working pressure	<b>50 - 1000 kPa</b>
Connection size	<b>Ø10 mm</b>
Projection	<b>120 mm</b>
Material	<b>brass</b>

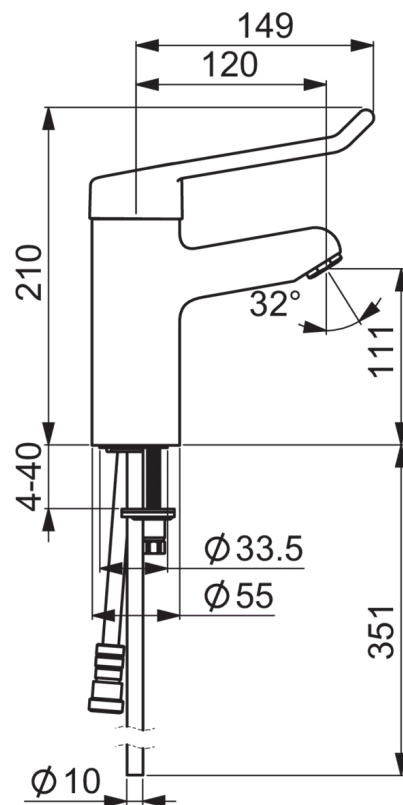
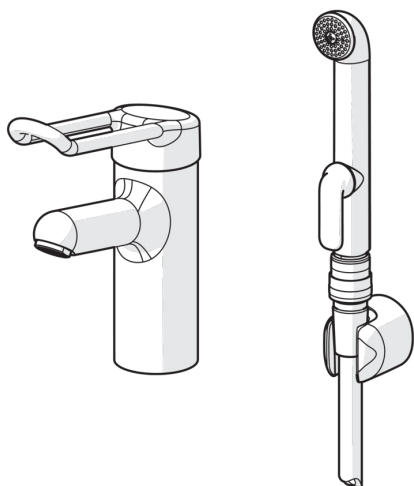
### Regulations

EN standard	<b>EN 817</b>
-------------	---------------

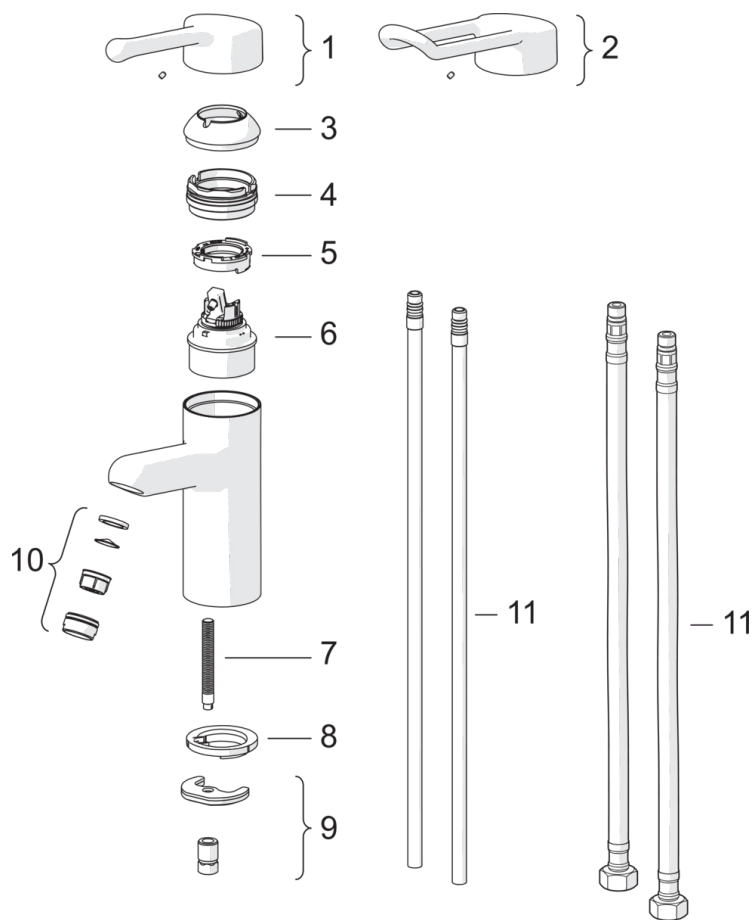
### Type approvals

STF certificate	<b>STF VTT-RTH-00064-17</b>
-----------------	-----------------------------





### Spare parts



### SP5510

	Code
01	602275V
02	602276V
03	602277V
04	602278V
05	602281V
06	602280V
07	601970V
08	601971V
09	601985V
10	602283V
11	1001499/2
11	602282V