

EAN: 6414150074899

[www.oras.com/en/products/oras/product/5510B](http://www.oras.com/en/products/oras/product/5510B)

Oras Medipro washbasin faucet. Firm loop-lever offers good usability to all users and situations. Fixed spout and laminar flow. Ø 10 mm Cu inlet pipes.

- Health & Care
- Single lever
- Deck mounted
- Chrome
- Fixed spout
- Loop lever
- Laminar flow
- body made of DZR brass, surfaces in contact with drinking water contain less than 0.3% lead, waterways without nickel coating



## Technical data

### Flow properties

Flow-rate at 300 kPa	<b>0.2 l/s</b>
Pressure loss with flow (0.1 l/s)	<b>80 kPa</b>

### Technical properties

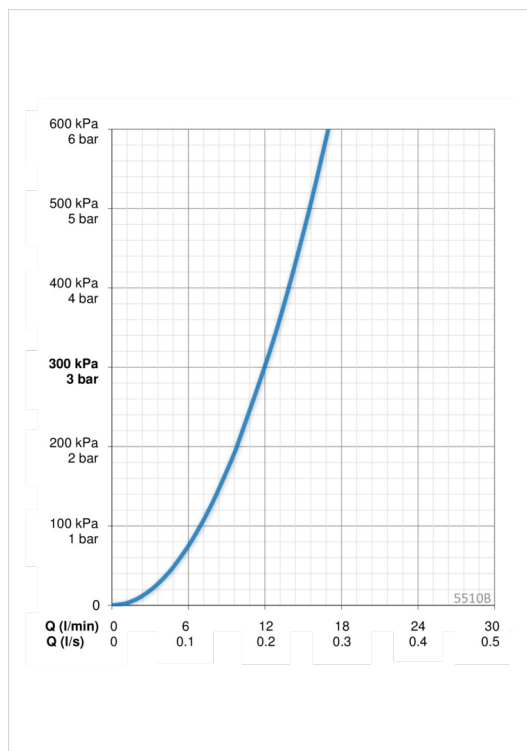
Hot water supply	<b>max. +80°C</b>
Working pressure	<b>50 - 1000 kPa</b>
Connection size	<b>Ø10 mm</b>
Projection	<b>120 mm</b>
Material	<b>brass</b>

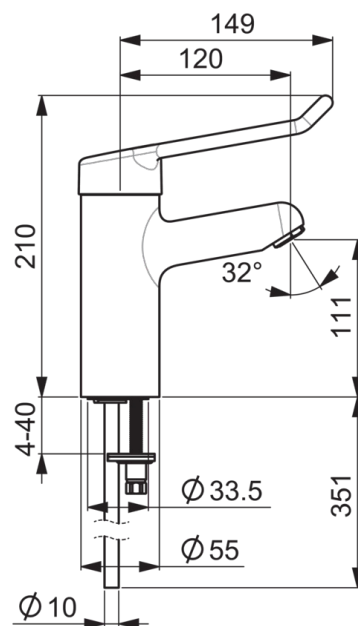
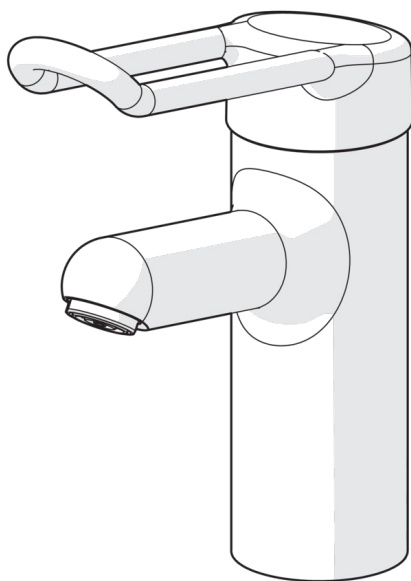
### Regulations

EN standard	<b>EN 817</b>
Noise class	<b>I (ISO 3822)</b>

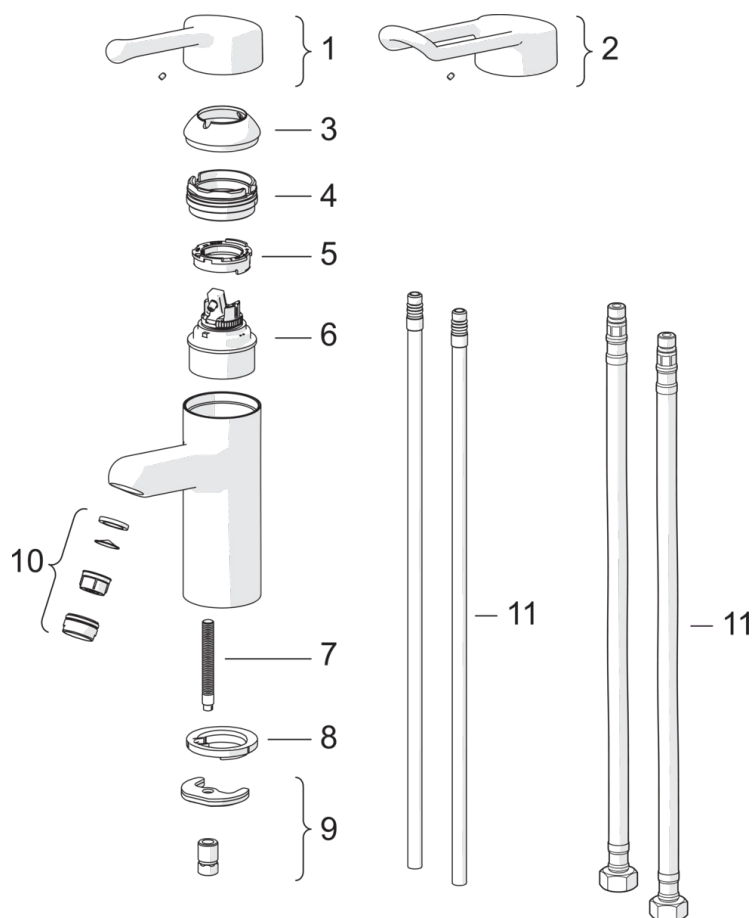
### Type approvals

STF certificate	<b>STF VTT-RTH-00064-17</b>
-----------------	-----------------------------





### Spare parts



### SP5510

	Code
01	602275V
02	602276V
03	602277V
04	602278V
05	602281V
06	602280V
07	601970V
08	601971V
09	601985V
10	602283V
11	1001499/2
11	602282V