

EAN: 6414150023583

www.oras.com/en/products/oras/product/421032



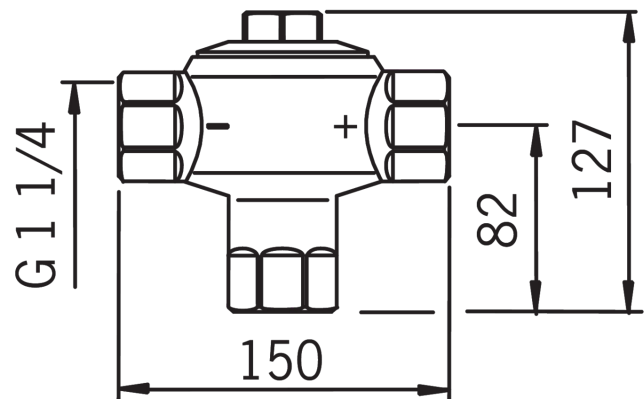
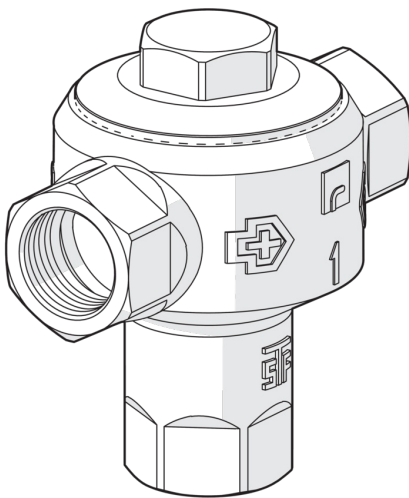
- Technical room

Technical data

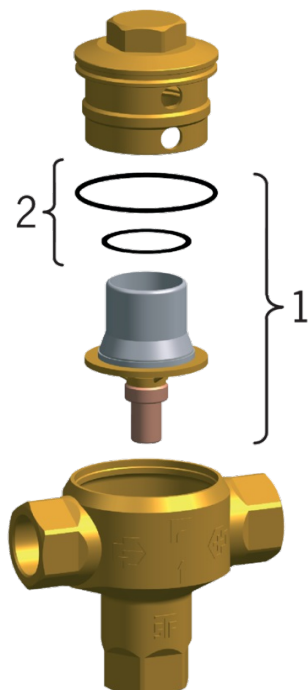
Technical properties

DN-size (nominal dimension)

DN32



Spare parts



SP4210

	Code
01	428161V
01	428160V
01	428168V
01	428167V
02	428158V