

**DALLAS 38W AND 40W LED UGR<19 AND UGR<22  
BACKLIT PANELS**

This great new range of extra-slim LED panels includes UGR≤ 19 and UGR≤ 22 in Neutral or Cool White CCT versions. Utilising Backlight technology, it prevents yellowing of the fitting often associated with some Edge-lit panels using lower quality diffusers and Light Guide Plates



**Applications:**

- Offices
- Hospitals & Health Centres
- Shops
- Hotels
- Schools & Colleges
- Receptions
- Inspection areas

**Construction:**

- White powder coated aluminium frame
- PS diffuser
- Steel back plate

**Features:**

- UGR≤19 available in 4,000K
- UGR≤22 available in 4,000K & 5,000K

- Emergency pack available

- White powder coated Aluminium profile frame

- Includes mounting point for a safety strap

- Polystyrene TPb rated diffuser

- Driver uses high quality latest technology components

- Uses Backlit luminaire construction design

- High quality LED's are used

- Driver and LED's are solid state

**Benefits:**

- Allows compliance with project requirements for Low Glare in offices or classrooms and all other parts of the building

- Provides high lumen light output on mains failure for good visibility of escape routes on power failure

- Looks attractive and will compliment most ceiling colours
- Is light weight so easy to install

- Provides additional safety so the fitting cannot fall out of the ceiling in the event of the ceiling being weakened by fire

- Allows maximum light transmission, reduces glare and is fire rated for installation in commercial buildings

- Provides high efficiency with minimal flicker for a more comfortable lighting environment

- Eliminates "yellowing" effect seen with some "edgelit" luminaires with low quality light guide plates and diffusers

- Compared to fluorescent:
  - Provides comparable light output
  - Has around 5 times longer rated LED life
- Uses half the power for lower running costs

- Suitable for switching by PIR, Microwave or photocell for additional energy savings

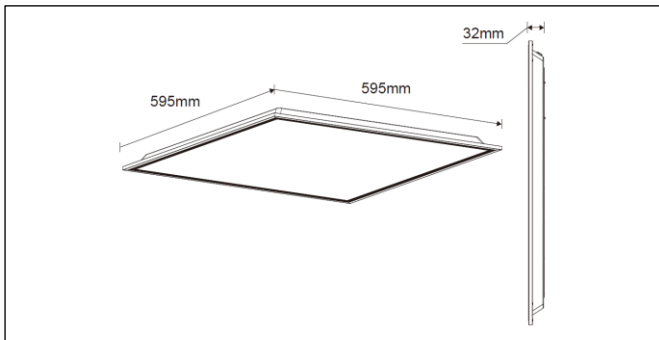
PLEASE NOTE: INFORMATION IN THIS DOCUMENT MAY BE SUBJECT TO CHANGE WITHOUT PRIOR NOTICE

IRE: TEL: +353 1 709 9000  
AUS: TEL: +61 7 3890 5444

WEB: WWW.ROBUS.COM  
WEB: WWW.ROBUS.COM.AU

DALLAS 38W AND 40W LED UGR<19 AND STANDARD BACKLIT PANELS

	UGR≤22	UGR≤22	UGR≤19
<b>Product Code:</b>	<b>RDL40406060-01</b>	<b>RDL40506060-01</b>	<b>RDL40406060UGR-01</b>
<b>Comparable to:</b>	4x18W T8	4x18W T8	4x18W T8
<b>Total Power (W):</b>	40.3	40.6	38.0
<b>Total Light Output (lm):</b>	4,210	4,180	4,100
<b>Efficacy (lm / cctW):</b>	104	103	108
<b>Illuminance at 1m (lux):</b>	1,410	1,420	1,970
<b>CCT (K):</b>	4,000	5,000	4,000
<b>CRI (Ra):</b>	80	80	85
<b>Beam Angle (deg):</b>	110	110	85
<b>Rated Life (hrs):</b>	50,000	50,000	50,000
<b>Warranty (yrs):</b>	5	5	5
<b>Ingress Protection (IP):</b>	20	20	20
<b>Operating Temperature (°C):</b>	-20 ≤ Ta ≤ +40	-20 ≤ Ta ≤ +40	-20 ≤ Ta ≤ +40
<b>Driver Output Current CC (mA):</b>	1,000	1,000	1,000
<b>Driver Output Voltage @ CC (VDC):</b>	36	36	34
<b>Operating Voltage (Vac):</b>	220-240	220-240	220-240
<b>Power Factor (PF):</b>	0.9	0.9	0.9
<b>Length (mm):</b>	595	595	595
<b>Width (mm):</b>	595	595	595
<b>Depth (mm):</b>	32	32	32
<b>Box Qty:</b>	1	1	1
<b>Weight (kg):</b>	1.7	1.7	2.1



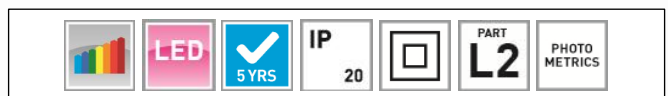
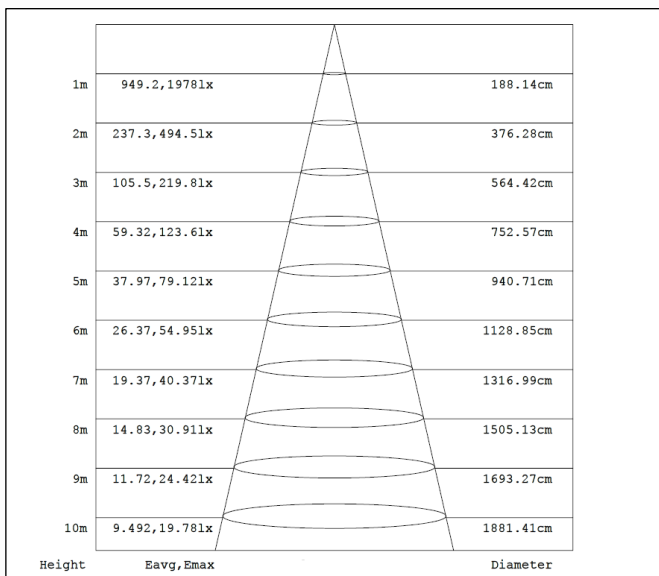
**Accessories:**

- R3EMPK4-PSU** Plug and Play 3hr Emergency Pack
- HED2040-D** 40W DALI, Switch Dim driver
- RDLSS1** Safety Strap kit for DALLAS Panels

**Standards & Approvals:**

Complies with: EN 60598-2-1, EN 60598-2-2, EN 55015, EN 61000-3-2, EN 61000-3-3, EN 61547, EN 62471, EN 62493, EN 62384

**Cone Illuminance Diagram:**



**Polar Intensity Diagram:**

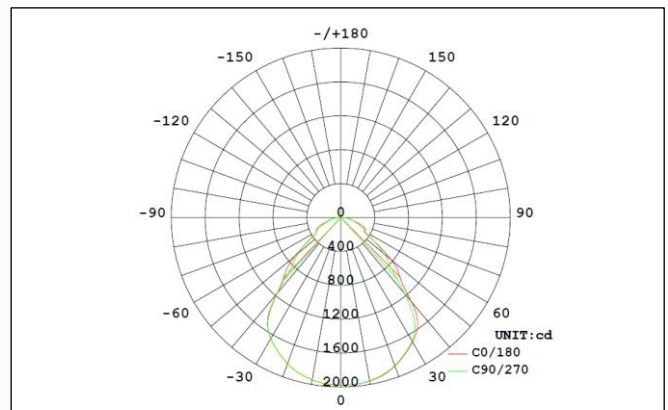


Diagram for RDL40406060UGR-01 in 4,000K. Other diagrams available on request  
 PLEASE NOTE: INFORMATION IN THIS DOCUMENT MAY BE SUBJECT TO CHANGE WITHOUT PRIOR NOTICE

IRE: TEL: +353 1 709 9000 WEB: WWW.ROBUS.COM  
 AUS: TEL: +61 7 3890 5444 WEB: WWW.ROBUS.COM.AU