



INDICATIVE PHOTO

General features : RSI2250

RSI range unit coolers have been designed to be installed inside cold rooms suited for fresh and frozen goods storage.

This range has the advantage of having extremely compact dimensions and at the same time gives capacities comparable to the RC range. This feature allows applications inside cold rooms with a minimum encumbrance in height

RSI range is available in two different fan diameters and three types of fin spacing according to the needed application.

The ED version is supplied with mounted defrosting heaters and is suitable for being used at low temperature applications.

The range consist of two types of coils, both made of aluminium fins and copper tube: 3/8" tube with a geometry of 25x22

The model types having 250mm fan diameter are fitted with a coil of 5,3mm fin spacing, suited for applications with a cold room temperature (Tc) from -30°C to +10°C

The coil is made of aluminium fins and 3/8" copper tube with geometry 25x22

It is tested with nitrogen at a pressure of 25 bar

The fan motor models in use have the following features:

Manufactured following EN 60335-1 laws, with internal thermal protection

Power supply 230-240V/1/50-60Hz

The model types having 350mm fan diameter are made of two different groups: models with 3,5mm fin spacing suited for cold room temperature (Tc) from -5°C to +15°C; models with 7mm fin spacing suited for cold room temperature (Tc) from -40°C to +4°C.

IP42 protection rate

Operating temperature from -40°C to +40°C

B insulation class

Electrics made in conformity with 2006/95/CE Low Tension directive

The housing is made of aluminium

The manufacturing solutions used give the housing strength and guarantee the absence of vibrations during the functioning.

Screws, washers and nuts are made of stainless steel



INDICATIVE PHOTO

Product file : Unit coolers

Code	RSI2250ED
Model	Ceiling
Range	RSI
Application	MBP
Net weight	18,2 kg
Inlet connection	12 mm
Outlet connection	16 mm
Drain connection	1/2" Gas (20mm)
Ped	0
Rows	6
Fin spacing	5,3
Circuit volume	2,26 dm ³
Total surface	7,36 m ²

Fan motor

Type	AC
Fans no.	2
Diameter	254 mm
Power supply	220-240/1/50-60
Defrost	900 W
Speed	1300 rpm
Power consumption	120 W
Current consumption	1 A
Air flow	1137.5 m ³ /h
Air throw	7 m

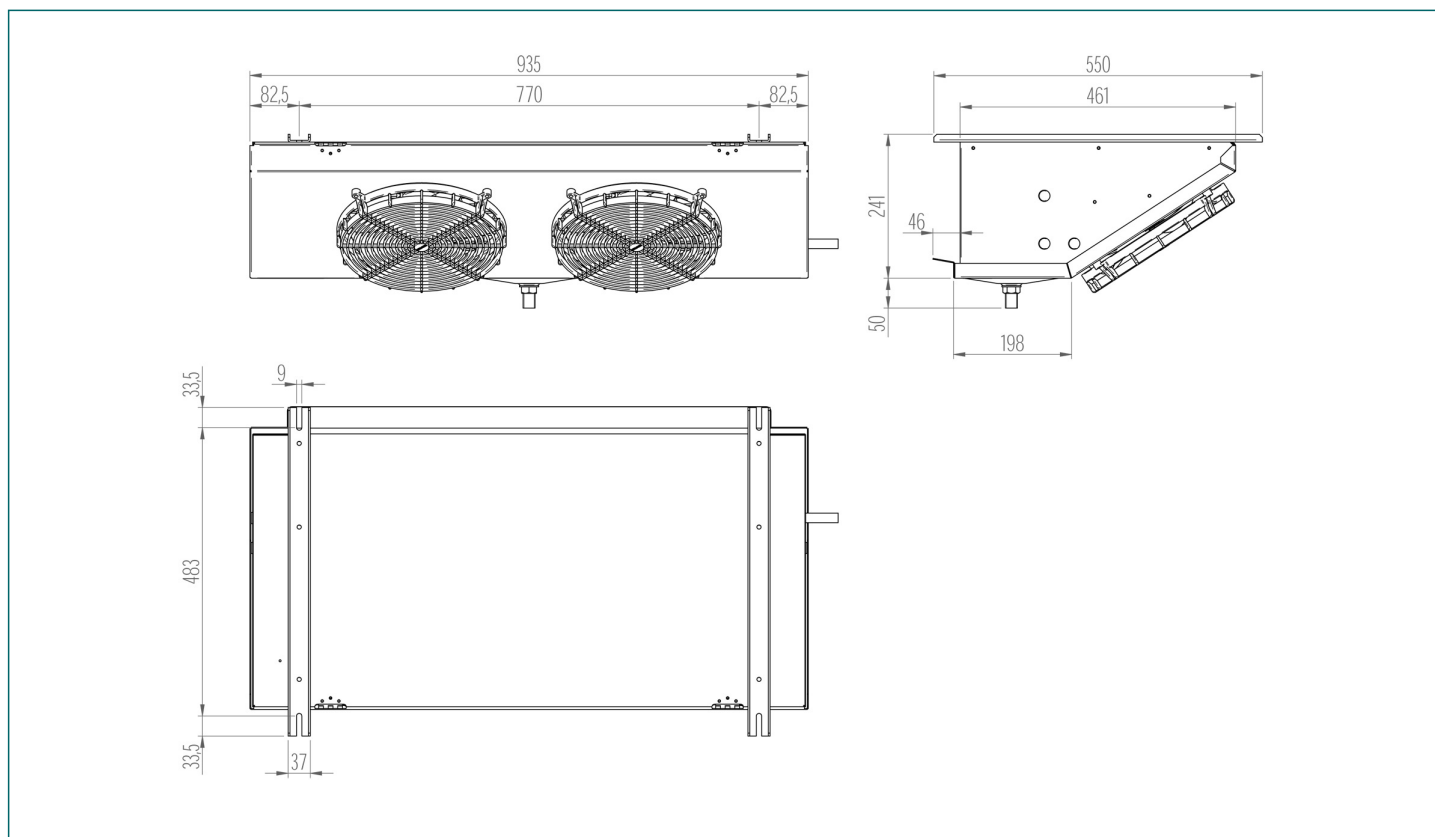
Data for selection

Cold room temp.	2°C
T delta	10
Gas	R452A
Units no.	1
Requested capacity	2733 W

Search results

Total capacity	2783 W
Tolerance	+1,8%
Calculated td	9
Speed	1300 rpm

Technical drawing - RSI2250



Refrigerating capacity table (watt) - Gas : R452A

dT \ Tc	-40°C	-35°C	-30°C	-25°C	-20°C	-15°C	-10°C	-5°C	0°C	2°C	4°C	6°C	8°C	10°C	12°C	15°C
10	1287 ⁽¹⁾	1485 ⁽¹⁾	1716	1914	2101	2277	2376	2541	2739	2783	2827	2871	2915	2981	3124	3339
9	1210 ⁽¹⁾	1397 ⁽¹⁾	1595	1771	1925	2046	2156	2299	2475	2519	2552	2596	2629	2717	2794	2910
8	1122 ⁽¹⁾	1287 ⁽¹⁾	1452	1606	1727	1826	1914	2046	2200	2233	2266	2288	2343	2420	2486	2585
7	1023 ⁽¹⁾	1166 ⁽¹⁾	1298	1419	1518	1573	1672	1782	1925	1947	1969	1980	2057	2112	2178	2277
6	913 ⁽¹⁾	1023 ⁽¹⁾	1133	1221	1276	1342	1419	1518	1650	1661	1683	1705	1782	1837	1903	2002
5	781 ⁽¹⁾	869 ⁽¹⁾	946	1001	1056	1067	1166	1254	1364	1375	1386	1441	1496	1551	1606	1689

(1) Applicazione fuori dal campo consigliato