



INDICATIVE PHOTO

General features : RSI1250

RSI range unit coolers have been designed to be installed inside cold rooms suited for fresh and frozen goods storage.

This range has the advantage of having extremely compact dimensions and at the same time gives capacities comparable to the RC range. This feature allows applications inside cold rooms with a minimum encumbrance in height

RSI range is available in two different fan diameters and three types of fin spacing according to the needed application.

The ED version is supplied with mounted defrosting heaters and is suitable for being used at low temperature applications.

The range consist of two types of coils, both made of aluminium fins and copper tube: 3/8" tube with a geometry of 25x22

The model types having 250mm fan diameter are fitted with a coil of 5,3mm fin spacing, suited for applications with a cold room temperature (Tc) from -30°C to +10°C

The coil is made of aluminium fins and 3/8" copper tube with geometry 25x22

It is tested with nitrogen at a pressure of 25 bar

The fan motor models in use have the following features:

Manufactured following EN 60335-1 laws, with internal thermal protection

Power supply 230-240V/1/50-60Hz

The model types having 350mm fan diameter are made of two different groups: models with 3,5mm fin spacing suited for cold room temperature (Tc) from -5°C to +15°C; models with 7mm fin spacing suited for cold room temperature (Tc) from -40°C to +4°C.

IP42 protection rate

Operating temperature from -40°C to +40°C

B insulation class

Electrics made in conformity with 2006/95/CE Low Tension directive

The housing is made of aluminium

The manufacturing solutions used give the housing strength and guarantee the absence of vibrations during the functioning.

Screws, washers and nuts are made of stainless steel



INDICATIVE PHOTO

Product file : Unit coolers

Code	RSI1250ED
Model	Ceiling
Range	RSI
Application	MBP
Net weight	9,6 kg
Inlet connection	12 mm
Outlet connection	16 mm
Drain connection	1/2" Gas (20mm)
Ped	0
Rows	6
Fin spacing	5,3
Circuit volume	1,2 dm ³
Total surface	3,73 m ²

Fan motor

Type	AC
Fans no.	1
Diameter	254 mm
Power supply	220-240/1/50-60
Defrost	500 W
Speed	1300 rpm
Power consumption	60 W
Current consumption	0,5 A
Air flow	583 m ³ /h
Air throw	6.5 m

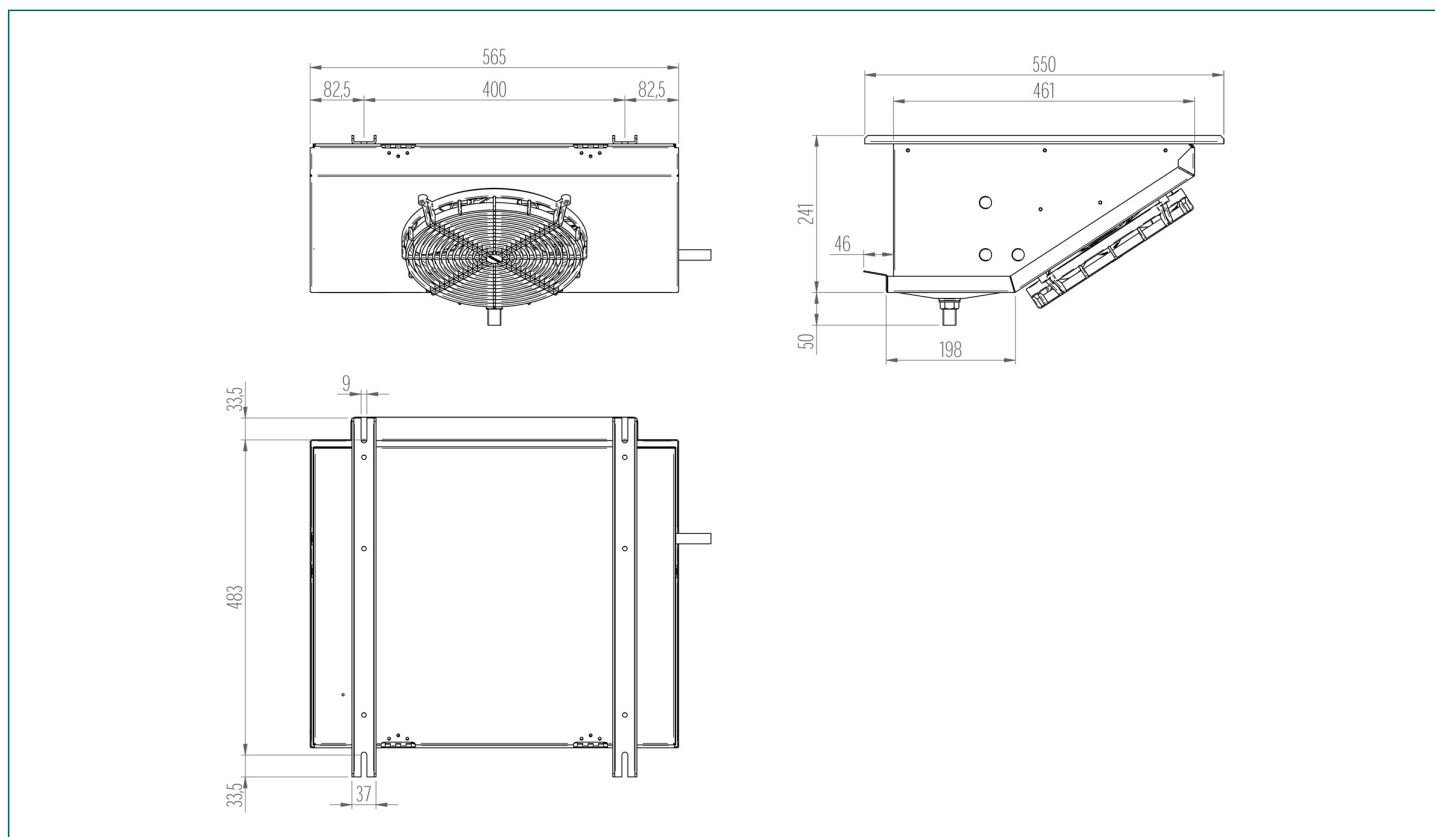
Data for selection

Cold room temp.	-18°C
T delta	10
Gas	R452A
Units no.	1
Requested capacity	1039 W

Search results

Total capacity	1212 W
Tolerance	+16,7%
Calculated td	8
Speed	1300 rpm

Technical drawing - RSI1250



Refrigerating capacity table (watt) - Gas : R452A

dT \ Tc	-40°C	-35°C	-30°C	-25°C	-20°C	-15°C	-10°C	-5°C	0°C	2°C	4°C	6°C	8°C	10°C	12°C	15°C
10	1001 ⁽¹⁾	1056 ⁽¹⁾	1111	1155	1199	1232	1265	1320	1397	1408	1419	1430	1441	1463	1507	1573
9	902 ⁽¹⁾	946 ⁽¹⁾	990	1034	1067	1100	1122	1177	1243	1254	1265	1276	1298	1320	1353	1402
8	792 ⁽¹⁾	836 ⁽¹⁾	869	902	924	957	979	1023	1089	1100	1111	1122	1133	1155	1188	1238
7	693 ⁽¹⁾	726 ⁽¹⁾	748	770	792	803	836	869	924	935	946	957	968	990	1012	1045
6	572 ⁽¹⁾	605 ⁽¹⁾	627	638	649	660	693	726	781	792	803	814	825	847	869	902
5	462 ⁽¹⁾	473 ⁽¹⁾	484	495	506	517	539	572	616	622	627	638	660	682	704	737

(1) Applicazione fuori dal campo consigliato