

Technical Data Sheet

Compressor model **GLY80RAb**
 Voltage **220-240V 50Hz ~1**
 Refrigerant **R134a**

APPLICATION

COMPRESSOR

MOTOR

Application	High-Medium Back Pressure	Displacement	8,10 cm ³	Nominal Power	1/5 hp
Refrigerant	R134a	Diameter	24,29 mm	Voltage/Frequency	220-240V 50Hz
Evaporating Temp.	-25,0 °C to 10,0 °C	Stroke	17,47 mm	Voltage range	187-264 V
Expansion	Capillar/Valve	Net Weight	10,21 Kg	Type	CSR
Comp. Cooling	Fan cooled	Oil type	ISO VG 32 ESTER	Phase number	1 PH
Max. ambient temp.	43,0 °C	Oil charge	295 cm ³	Locked Rotor Amps (LRA)	10,50 A
Compatible refriger.	R1234yf			Max. Cont. Current (MCC)	3,50 A
				Main W. resist. at 25°C	8,55 Ω
				Start W. resist. at 25°C	18,40 Ω

NOMINAL PERFORMANCE

	ASHRAE	CECOMAF
Cooling Capacity	700 kCal/h	680 W
COP	2,71 W/W	2,33 W/W
EER	2,33 kCal/Wh	2,02 kCal/Wh
Input Power	300 W	292 W
Current	1,55 A	1,51 A

APPROVALS



TEST CYCLE CONDITIONS

	ASHRAE HMBP (D)	CECOMAF HMBP (C)
Evaporating temp. (T _e)	7,2 °C	5,0 °C
Condensing temp. (T _c)	55,0 °C	55,0 °C
Liquid temp. (T _{liq.})	46,0 °C	55,0 °C
Ambient temp. (T _{amb.})	35,0 °C	32,0 °C
Suction temp. (T _{suction})	35,0 °C	32,0 °C
Voltage/Frequency	220 V 50 Hz	220 V 50 Hz

ELECTRICAL COMPONENTS

Starting capacitor	47- 56 µF 330 V		
Run capacitor	5 µF 400 V		
Relay	Option 1	Option 2	
Reference	2014 127. + NTC15Ω	QLZ-4.8A+NTC15	
Pick-Up	4,80 A	4.8 A	
Drop-Out	4,10 A	4.1 A	
Protector	Option 1	Option 2	
Reference	T0289	MRA38144	
Current	9,50 A	9,50 A	
Time check	7,5-14 seg	7,5-14 seg	
Disc temp. (Open/Close)	110,00 / 52,00 °C	105,00 / 52,00 °C	

ASHRAE

Tc °C	Te °C	Cooling Capacity kCal/h	Consumption W	Current A	COP W/W	EER kCal/Wh
40	-25	188	152	0,96	1,44	1,24
40	-20	252	169	1,02	1,74	1,49
40	-15	329	185	1,09	2,07	1,78
40	-10	421	203	1,15	2,41	2,08
40	-5	526	220	1,22	2,78	2,39
40	0	645	238	1,29	3,15	2,71
40	5	777	256	1,37	3,53	3,04
40	7,2	840	264	1,40	3,70	3,18
40	10	924	274	1,44	3,92	3,37

45	-25	175	154	0,97	1,33	1,14
45	-20	234	172	1,04	1,58	1,36
45	-15	306	190	1,11	1,87	1,61
45	-10	392	209	1,18	2,18	1,88
45	-5	492	228	1,25	2,51	2,16
45	0	605	248	1,33	2,84	2,45
45	5	733	267	1,41	3,19	2,74
45	7,2	793	276	1,45	3,34	2,87
45	10	874	287	1,50	3,54	3,04

50	-25	163	155	0,97	1,22	1,05
50	-20	216	175	1,05	1,43	1,23
50	-15	283	195	1,12	1,69	1,45
50	-10	364	216	1,20	1,96	1,69
50	-5	458	236	1,29	2,26	1,94
50	0	566	257	1,37	2,56	2,20
50	5	689	279	1,46	2,88	2,47
50	7,2	747	288	1,50	3,02	2,59
50	10	824	300	1,55	3,19	2,75

55	-25	150	157	0,98	1,11	0,96
55	-20	198	178	1,06	1,29	1,11
55	-15	260	200	1,14	1,51	1,30
55	-10	335	222	1,23	1,76	1,51
55	-5	424	244	1,32	2,02	1,74
55	0	527	267	1,41	2,30	1,98
55	5	644	290	1,51	2,59	2,22
55	7,2	700	300	1,55	2,71	2,33
55	10	775	313	1,61	2,88	2,48

60	-25	137	159	0,99	1,01	0,87
60	-20	180	182	1,07	1,15	0,99
60	-15	236	205	1,16	1,34	1,15
60	-10	306	228	1,26	1,56	1,34
60	-5	390	252	1,35	1,80	1,55
60	0	488	277	1,45	2,05	1,77
60	5	600	301	1,55	2,32	1,99
60	7,2	653	312	1,60	2,44	2,09
60	10	725	326	1,66	2,59	2,23

65	-25	125	160	0,99	0,90	0,78
65	-20	162	185	1,09	1,02	0,88
65	-15	213	210	1,18	1,18	1,02
65	-10	278	235	1,28	1,38	1,18
65	-5	357	260	1,39	1,59	1,37
65	0	449	286	1,49	1,82	1,57
65	5	556	312	1,60	2,07	1,78
65	7,2	607	324	1,65	2,18	1,87
65	10	676	339	1,72	2,32	1,99

CECOMAF

Tc °C	Te °C	Cooling Capacity W	Consumption W	Current A	COP W/W	EER kCal/Wh
40	-25	203	153	0,96	1,33	1,15
40	-20	272	169	1,03	1,61	1,39
40	-15	356	186	1,09	1,91	1,65
40	-10	454	204	1,16	2,23	1,93
40	-5	567	221	1,23	2,56	2,21
40	0	695	239	1,30	2,90	2,51
40	5	837	258	1,37	3,25	2,81
40	7,2	904	266	1,41	3,40	2,94
40	10	993	276	1,45	3,60	3,11

45	-25	188	154	0,97	1,22	1,05
45	-20	251	173	1,04	1,45	1,26
45	-15	329	191	1,11	1,72	1,48
45	-10	421	210	1,18	2,00	1,73
45	-5	528	229	1,26	2,30	1,99
45	0	649	249	1,34	2,61	2,25
45	5	785	269	1,42	2,92	2,52
45	7,2	849	278	1,46	3,06	2,64
45	10	935	289	1,50	3,23	2,79

50	-25	173	156	0,98	1,11	0,96
50	-20	230	176	1,05	1,31	1,13
50	-15	302	196	1,13	1,54	1,33
50	-10	388	217	1,21	1,79	1,55
50	-5	488	238	1,29	2,05	1,78
50	0	603	259	1,38	2,33	2,01
50	5	733	280	1,47	2,61	2,26
50	7,2	794	290	1,51	2,74	2,37
50	10	877	302	1,56	2,90	2,51

55	-25	159	158	0,98	1,01	0,87
55	-20	209	179	1,06	1,17	1,01
55	-15	275	201	1,15	1,37	1,18
55	-10	354	223	1,23	1,59	1,37
55	-5	448	246	1,33	1,83	1,58
55	0	557	269	1,42	2,08	1,79
55	5	680	292	1,51	2,33	2,02
55	7,2	739	302	1,56	2,45	2,12
55	10	818	315	1,61	2,60	2,24

60	-25	144	160	0,99	0,90	0,78
60	-20	189	183	1,08	1,03	0,89
60	-15	247	206	1,17	1,20	1,04
60	-10	321	230	1,26	1,40	1,21
60	-5	409	254	1,36	1,61	1,39
60	0	511	278	1,46	1,84	1,59
60	5	628	303	1,56	2,07	1,79
60	7,2	684	314	1,61	2,18	1,88
60	10	760	328	1,67	2,32	2,00

65	-25	130	161	1,00	0,80	0,69
65	-20	168	186	1,09	0,90	0,78
65	-15	220	211	1,19	1,04	0,90
65	-10	288	236	1,29	1,22	1,05
65	-5	369	262	1,39	1,41	1,22
65	0	465	288	1,50	1,62	1,40
65	5	576	314	1,61	1,83	1,58
65	7,2	630	326	1,66	1,93	1,67
65	10	701	341	1,73	2,06	1,78

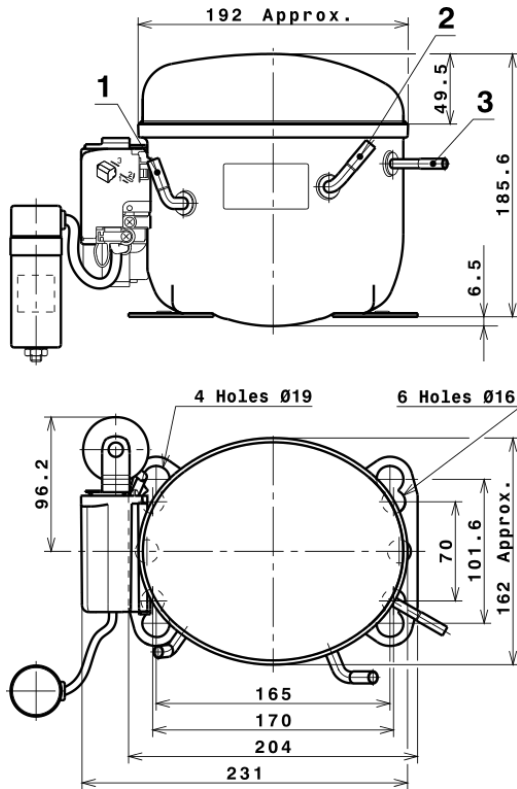
EN12900

X	Cooling Capacity (W)	Consumption (W)	Current (A)	Mass Flow (kg/h)
1	1.065,7116925293	165,3112399968	0,9851765634	17,753129301368
2	37,0519024211	1,1220918224	0,0041708451	0,69600694020653
3	-9,4921999366	2,0045652451	0,0084085807	-0,062054073490063
4	0,2853439877	0,0083956494	0,0000719236	0,0082354888670844
5	-0,2609809471	0,0664800881	0,0002851509	-0,0013572170852452

Equation	$x_1 + x_2Te + x_3Tc + x_4Te^2 + x_5TeTc$
----------	---

Technical Data Sheet

COMPRESSOR DIMENSIONS

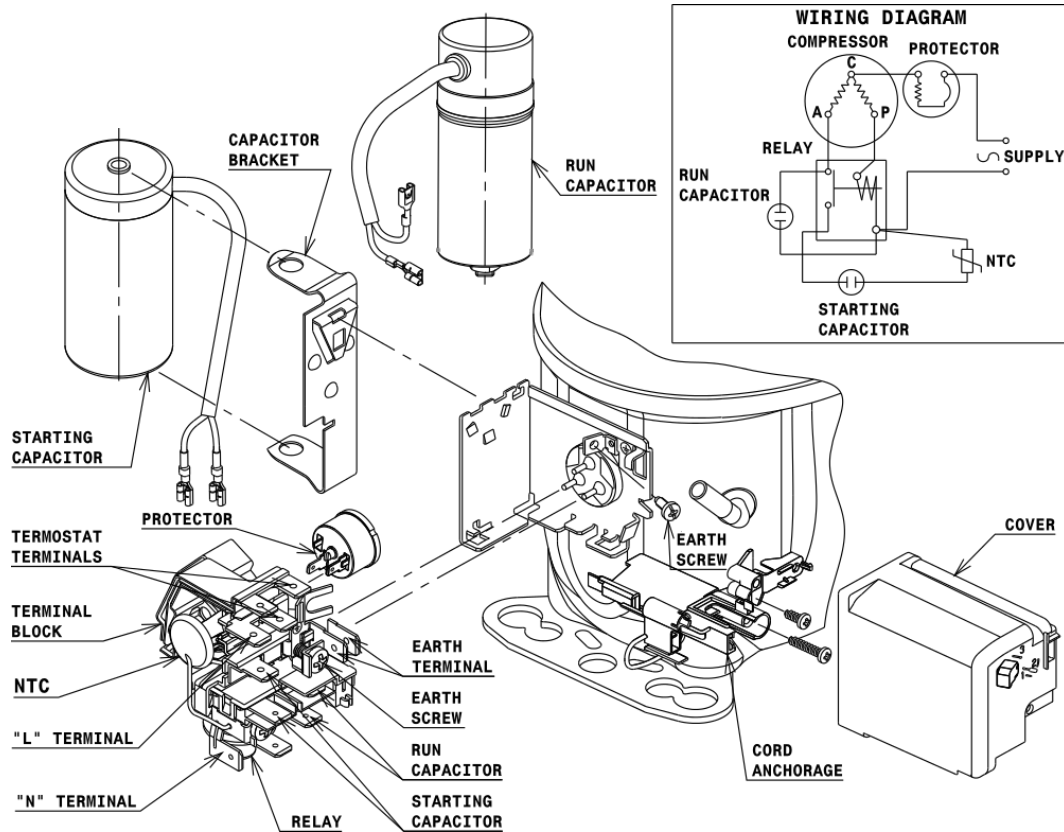


DESIGNATION INTERNAL DIAM.

DESIGNATION	INTERNAL DIAM.
1 Suction	6,5 mm
2 Service	6,5 mm
3 Discharge	4,9 mm

WIRING DIAGRAMS AND ELECTRICAL ASSEMBLY

CSR CONNECTION (CURRENT RELAY + NTC) (L, P ranges)



FIXINGS



SILENT BLOCKS (MOUNTING ACCESSORIES)

STANDARD

Ø16 holes (170x70 net)



AMERICAN FEET

Ø19 holes (165x101.6 net)



SNAP-ON

Ø16 holes (170x70 net)



SOA

SOA R134a HMBP

