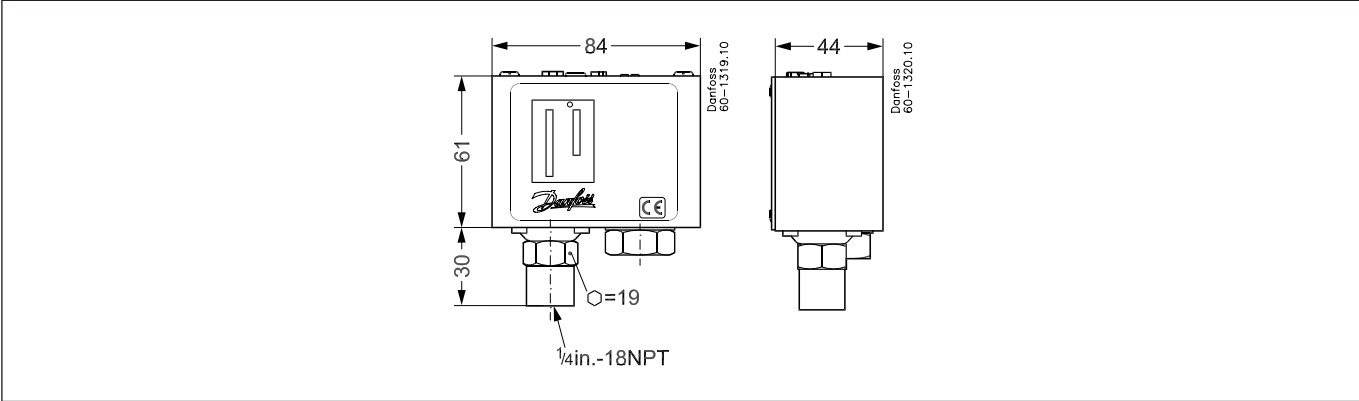


# Installation guide

## Pressure switch

### Types KP 34, KP 35, KP 36 and KP 37

060R9365

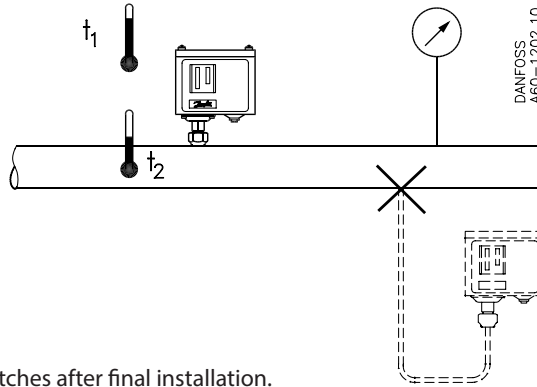


060R9365

#### KP 34, KP 35, KP 36 and KP 37

$t_1$  min. -40 °F  
 $t_1$  max. 149 °F

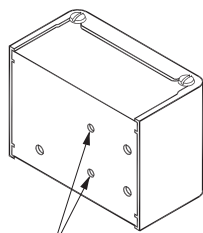
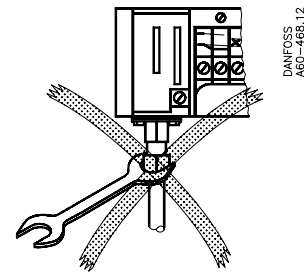
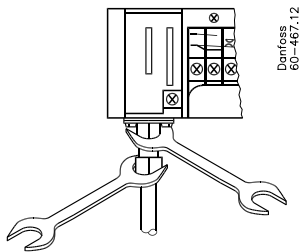
$t_2$  min. -40 °F  
 $t_2$  max. 212 °F



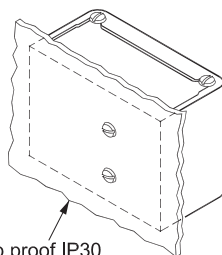
$P_{test}$  max.

KP 34:	87 psi
KP 35:	319 psi
KP 36:	319 psi
KP 37:	465 psi

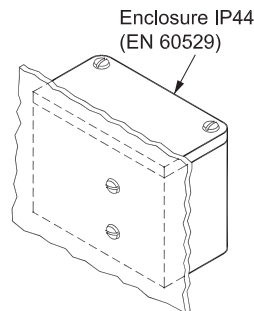
No maintenance is required for the switches after final installation.



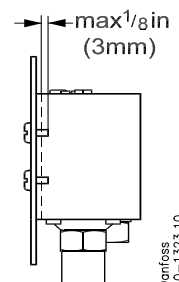
8-32 UNC (M4)



Drip proof IP30 (EN 60529)



Enclosure IP44 (EN 60529)



Danfoss 60-1323.10



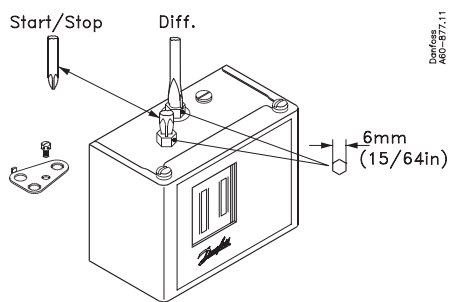
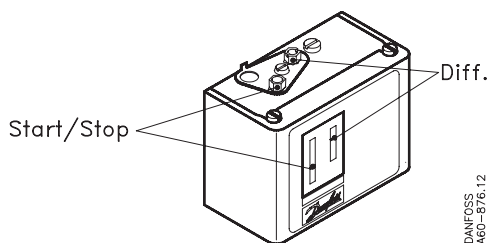
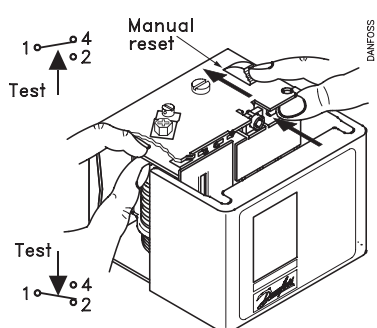
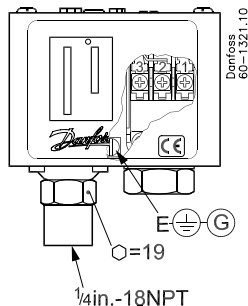
#### CAUTION:

The mounting panel must be plane to avoid damage of switch.

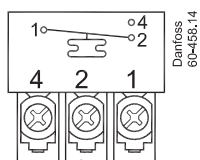


**CAUTION:**

Disconnect power supply before wiring connections are made or service to avoid possible electrical shock or damage to equipment.  
Do never touch live parts with your fingers or with any tool.



**Please note:** scale in KP units is indicative only. For accurate setting or when using according to FM approval use additional pressure gauge to set the unit.



When used acc. to UL or FM regulations



Listed refrigeration controller 61B5

Voltage	FL	LR	Resist.	Pilot
AC	DC	A	A	lead
240		8	48	8A
120		16	96	16A
	240			12W

**Use copper wire only**  
**Tightening torque 20 lb. in.**

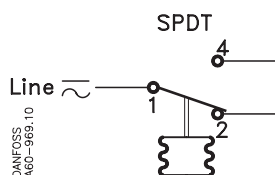
Contact system with standard AG contacts  
Single pole changeover switch (SPDT).

**Alternating current:**

- AC-1: 16 A, 400 V
- AC-3: 16 A, 400 V
- AC-15: 10 A, 400 V

**Direct current:**

- DC-13: 12 W, 220 V



Contact system with gold contacts  
Single pole changeover switch (SPDT): **1...30 mA, 5...30 V DC.**

Contact load when Au surface is burned away:

**Alternating current:**

- AC-1: 10 A, 400 V
- AC-3: 6 A, 400 V
- AC-15: 4 A, 400 V

**Direct current:**

- DC-13: 12 W, 220 V

