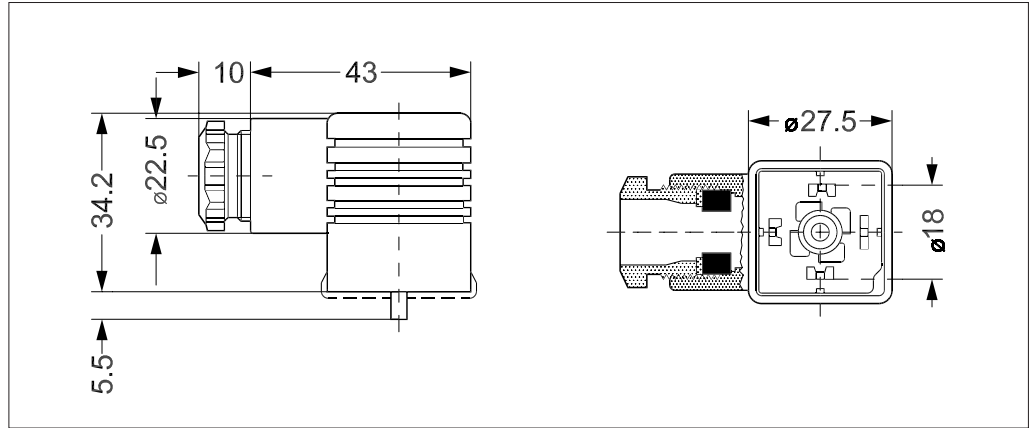


Accessories:
Cable plug



Type, Form A	Code no.
GDM 2011 (grey) cable plug according to DIN 43650-A PG11	042N0156



EEC Electronic coil controller



EEC electronic coil controller for solenoid valves, type EV220B.

The EEC gives the coil a short over-boost, and controls the armature speed:

- Low power consumption (holding power: 4 W)
- Reduced noise during operation
- Increased MOPD compared to standard coils
- Increased lifetime of the solenoid valve
- Enclosure:
 - IP67 version
- In accordance with:
 - Low Voltage Directive 2014/35/EU
 - EN60730-1

Type	Tambient	Supply voltage	Voltage variation	Frequency	Control	Power consumption	Code no.
	[°C]	[V]		[Hz]		[W]	
BE240CS	-25 - 55	208 - 240	±10%	60	NC, NO	4	018F6783
		208 - 240	±10%	50		4	