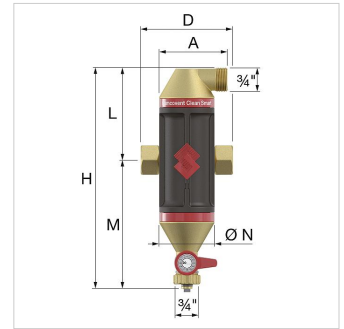
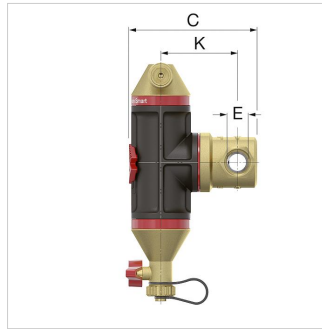
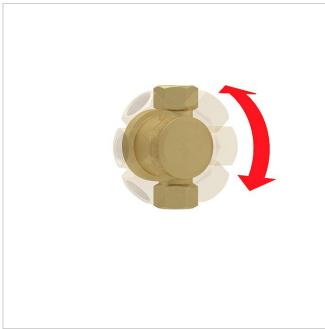


Product Data Sheet (2019-07-10)
30043 - Flamcovent Clean Smart 1


Description	Flamcovent Clean Smart Rp1"	
Article	30043	
Model	Flamcovent Clean Smart	
Connection (E)	Rp 1"	
Dimensions	A [mm]	82
	C [mm]	155
	D [mm]	106
	K [mm]	91
	L [mm]	139
	M [mm]	179
	H/H1 [mm]	318
	Ø N [mm]	75
Weight [kg]	1.5	


Packaging info

Unity of use	1 Piece
Packaging form	Box
Packaging dimensions (H. x W. x L.)	123 x 205 x 341 mm
Weight	1.963 Kilogram

Classification General Data

Etim Group	Filters/separators
Etim Class	Air-/dirt separator for central heating/cooling system
Product Name	Flamcovent Clean Smart Rp1"
Brand	Flamco
Product Series	Flamcovent Clean Smart
Product Type	1

Attributes

Material	Plastic
Separator type	Air/dirt
Suitable for heating	Yes
Suitable for cooling	Yes
Nominal inner diameter	1 inch (25)
Outer pipe diameter [mm]	33.7
Connection	Internal thread
Construction length [mm]	106
Article compression class	PN 10
Surface protection	Untreated
Operating principle	Other
Flow-through capacity [m³/h]	0 - 5.4724
Suitable for open system	No
Suitable for closed system	Yes
With blow-off valve	Yes
With dismountable filter	No
Filter volume [l]	0.69
Filter mesh density [mm]	0
With automatic de-aerator	Yes
With integrated replenishment automat	No
With couplers	No
Inlet/outlet offset distance [mm]	0
Max. medium temperature (continuous) [°C]	120

Flamco Limited
 Washway Lane
 WA10 6PB, St Helens, Merseyside - gb
T 017 447 447 44
F 017 447 447 00
E info@flamco.co.uk
I flamcogroup.com/uk-en