

NAVAL

Ball valves





With the most comprehensive range, Vexve is one of the world's leading manufacturer of high quality valves specifically developed for the most demanding District Heating and District Cooling applications. Vexve also has an extensive range of valves developed for Oil & Gas applications as well as heating and cooling (HVAC/R) systems. In addition, Vexve also develops and delivers smart control solutions for hydronic systems.

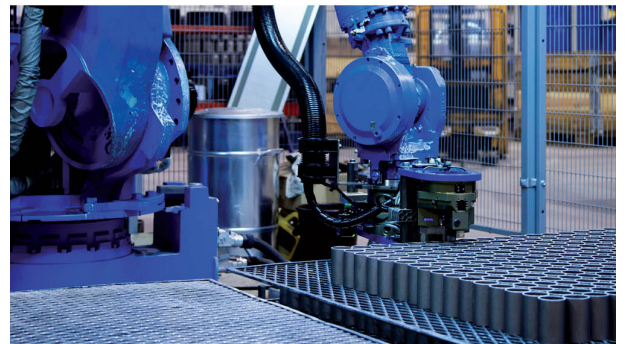
Vexve solutions are designed to deliver the highest possible energy efficiency and cost-effectiveness throughout the entire heating and cooling network – from district heating power stations and centralized cooling plants, to pumping stations and individual buildings.

Vexve manufactures and delivers two high quality valve brands, Vexve® and Naval®, in addition to Hydrox™ hydraulic actuators and Vexve® smart heating controllers and mixing valves.

Vexve is a Finnish-based business delivering products and services that save energy and improve the environment. The company has been in operation for more than 50 years and today delivers its products and services worldwide to customers in Helsinki to Beijing, and from Milan to Doha and Moscow. Vexve is known for high quality, fast delivery and superior customer service as well as its specialized expertise in energy and the environment – especially for district heating and cooling.

Vexve's highly advanced, automated production methods along with constant quality monitoring and development are the foundation of Vexve's quality products. To further ensure the highest quality only the best raw materials and components are used in the manufacture of Vexve products. Vexve's operations are ISO9001 & ISO3834-2, ISO14001, and PED certified and manufactured valves meet all required quality criteria and standards including EN488, PED, and GOST.

Your technology partner
for heating and cooling



Contents

Steel ball valves, reduced bore

DN 10-250 , welding/welding, EN (DIN)	4
DN 10-50 , female threads/welding, EN (DIN)	5
DN 10-50 , female threads/female threads	6
DN 15-250 , flange/flange	7

Steel ball valves, reduced bore with gears and actuators

DN 100-600 , welding/welding, EN (DIN) with manual gear	8
DN 100-600 , flange/flange with manual gear	9

Special purpose ball valves

DN 20-150 Hot tapping valve, welding/welding, EN (DIN)	10
--	----

Gas ball valves, reduced bore

DN 10-250 , welding/welding, EN (DIN)	11
DN 15-50 , female threads/female threads	12
DN 15-250 , flange/flange	13

Stainless steel ball valves, reduced bore

DN 10-250 , welding/welding, EN (DIN)	14
DN 15-250 , flange/flange	15

Balancing valves, steel

DN 15-300 , welding/welding, EN (DIN)	16
DN 15-300 , flange/flange	17

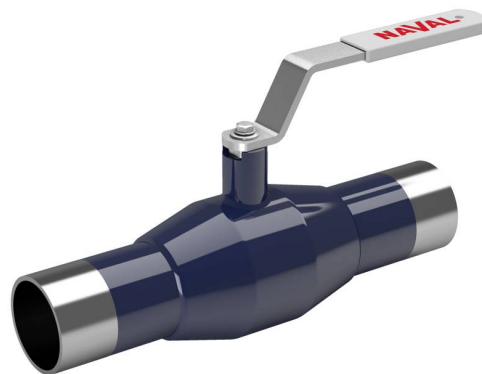
Balancing valves, stainless steel

DN 15-250 , welding/welding, EN (DIN)	18
DN 15-250 , flange/flange	19

Steel ball valves, reduced bore

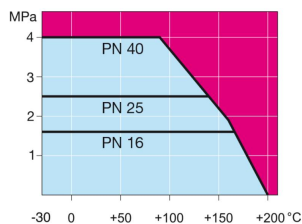
welding/welding, EN (DIN), DN 10-250

- Body: DN 10–500 Steel, P235GH (1.0345)
 DN 600–800 Steel, P355 NL1 (1.0566)/ GP240GH (1.0619)
- Ball: DN 10–600 Stainless steel, X5CrNi18-10 (1.4301)
 DN 700–800 Steel + stainless plating, ASTM A350 LF2+Ni
- Stem: Stainless steel, X8CrNiS18-9 (1.4305)
- Stem seals: FPM
- Ball seals: PTFE+C
- Operation: With zinc-plated steel handle
 We recommend manual gear operation for sizes DN 200 and larger



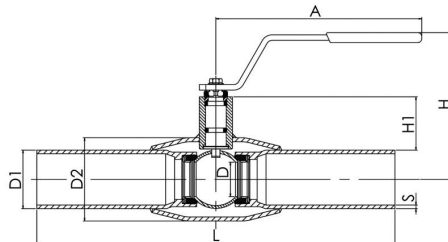
Operating conditions

-30°C - +200°C
 Below 0 °C contact manufacturer

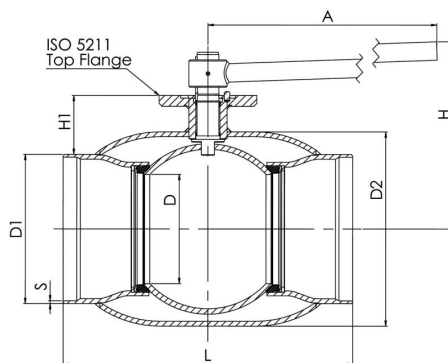


Not for steam

DN 10 - 150



DN 200 - 250



Product no. Naval	DN	PN	A	D	D1	D2	H	H1	L	S	kg
284402	10	40	145	10	17.2	33.7	98	22	230	2	0.6
284403	15	40	145	10	21.3	33.7	98	22	230	2	0.6
284405	20	40	145	15	26.9	42.4	103	23	230	2.3	0.8
284406	25	40	145	20	33.7	48.3	118	34	230	2.6	1
284407	32	40	145	25	42.4	60.3	121	33	260	2.6	1.4
284408	40	40	188	32	48.3	70	120	43	260	2.6	1.8
284409	50	40	188	40	60.3	88.9	127	44	300	2.9	2.6
284410	65	25	277.5	50	76.1	101.6	159	62	300	2.9	4
284411	80	25	277.5	65	88.9	121	171	68	300	3.2	5.3
284412	100	25	278.5	80	114.3	146	218	101	325	3.6	8.3
284413	125	25	400	100	139.7	177.8	252	101	325	4	13.4
284414	150	25	600	125	168.3	219.1	272	107	350	4.5	18
284416	200	25	870	150	219.1	273	280	92	400	4.5	39
284417	250	25	1200	200	273	355.6	350	108	530	5	74

Steel ball valves, reduced bore

female threads/welding, EN (DIN), DN 10-50

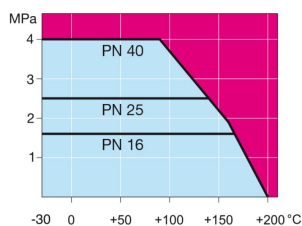
Body:	DN 10–500 Steel, P235GH (1.0345) DN 600–800 Steel, P355 NL1 (1.0566)/ GP240GH (1.0619)
Ball:	DN 10–600 Stainless steel, X5CrNi18-10 (1.4301) DN 700–800 Steel + stainless plating, ASTM A350 LF2+Ni
Stem:	Stainless steel, X8CrNiS18-9 (1.4305)
Stem seals:	FPM
Ball seals:	PTFE+C
Thread:	ISO 7-1 Rp
Welding end:	EN 12627
Operation:	With zinc-plated steel handle



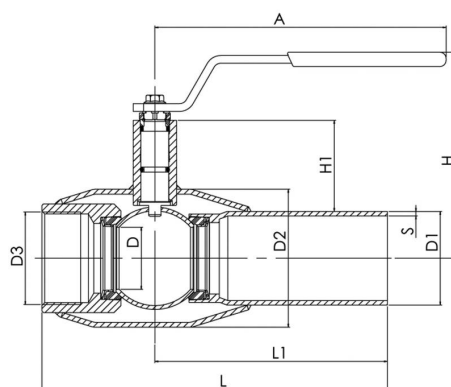
Operating conditions

-30°C - +200°C

Below 0 °C contact manufacturer



Not for steam



Product no. Naval	DN	PN	A	D	D1	D2	D3	H	H1	L	L1	S	kg
284002	10	40	145	10	17.2	33.7	R 3/8	98	22	153	115	2	0.6
284003	15	40	145	10	21.3	33.7	R 1/2	98	22	158	115	2	0.6
284005	20	40	145	15	26.9	42.4	R 3/4	103	23	165	115	2.3	0.8
284006	25	40	145	20	33.7	48.3	R 1	118	34	172	115	2.6	1.1
284007	32	40	145	25	42.4	60.3	R 1 1/4	121	33	195	130	2.6	1.4
284008	40	40	188	32	48.3	70	R 1 1/2	120	43	205	130	2.6	1.9
284009	50	40	188	40	60.3	88.9	R 2	127	44	240	150	2.9	2.7

Steel ball valves, reduced bore

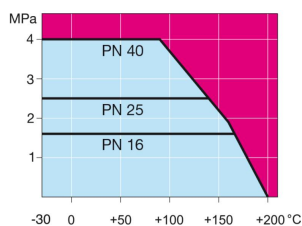
female threads/female threads, DN 10-50

Body:	DN 10–500 Steel, P235GH (1.0345) DN 600–800 Steel, P355 NL1 (1.0566)/ GP240GH (1.0619)
Ball:	DN 10–600 Stainless steel, X5CrNi18-10 (1.4301) DN 700–800 Steel + stainless plating, ASTM A350 LF2+Ni
Stem:	Stainless steel, X8CrNiS18-9 (1.4305)
Stem seals:	FPM
Ball seals:	PTFE+C
Threads:	ISO 7-1 Rp
Length:	EN 16722
Operation:	With zinc-plated steel handle

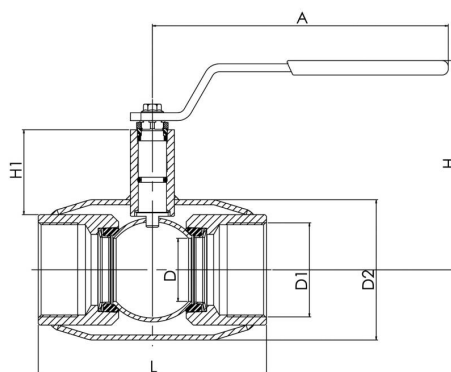


Operating conditions

-30°C - +200°C
Below 0 °C contact manufacturer



Not for steam

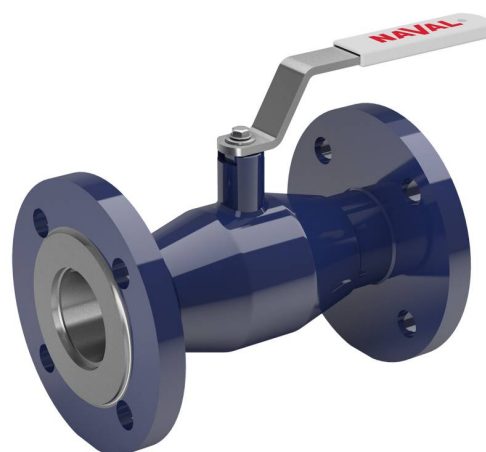


Product no. Naval	DN	PN	A	D	D1	D2	H	H1	L	kg
284152	10	40	145	10	R 3/8	33.7	98	22	75	0.5
284153	15	40	145	10	R 1/2	33.7	98	22	85	0.5
284155	20	40	145	15	R 3/4	42.4	103	23	100	0.6
284156	25	40	145	20	R 1	48.3	118	34	115	1
284157	32	40	145	25	R 1 1/4	60.3	121	33	130	1.2
284158	40	40	188	32	R 1 1/2	70	120	43	150	1.8
284159	50	40	188	40	R 2	88.9	127	44	180	2.6

Steel ball valves, reduced bore

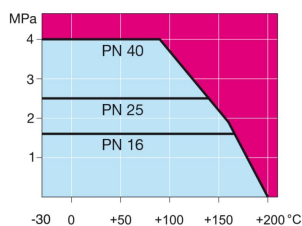
flange/flange, DN 15-250

Body:	DN 10–500 Steel, P235GH (1.0345) DN 600–800 Steel, P355 NL1 (1.0566)/ GP240GH (1.0619)
Ball:	DN 10–600 Stainless steel, X5CrNi18-10 (1.4301) DN 700–800 Steel + stainless plating, ASTM A350 LF2+Ni
Stem:	Stainless steel, X8CrNiS18-9 (1.4305)
Stem seals:	FPM
Ball seals:	PTFE+C
Flanges:	EN 1092-1 Available PN 10, 16, 25, 40
Length:	EN 558-1 (DIN 3202) DN 15–200
Operation:	With zinc-plated steel handle We recommend manual gear operation for sizes DN 200 and larger



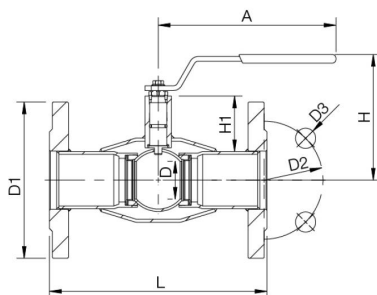
Operating conditions

-30°C - +200°C
Below 0 °C contact manufacturer

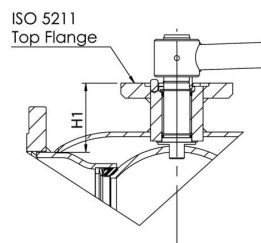


Not for steam

DN 15 -150



DN 200- 250



Product no. Naval	DN	PN	A	D	D1	D2	D3	H	H1	L	Holes	kg
285503	15	40	145	10	95	65	14	98	22	130	4	1.8
285505	20	40	145	15	105	75	14	103	23	150	4	2.5
285506	25	40	145	20	115	85	14	118	34	160	4	3.3
285507	32	40	145	25	140	100	18	121	33	180	4	5
285508	40	40	188	32	150	110	18	120	43	200	4	5.8
285509	50	40	188	40	165	125	18	127	44	230	4	7.8
285510	65	16	277.5	50	185	145	18	159	62	270	8	10.5
285511	80	16	277.5	65	200	160	18	171	68	280	8	12.5
285512	100	16	278.5	80	220	180	18	218	101	300	8	17
285513	125	16	400	100	250	210	18	252	101	325	8	25
285514	150	16	600	125	285	240	22	272	107	350	8	33
285516	200	16	870	150	340	295	22	280	92	400	12	58
285517	250	16	1200	200	405	355	26	350	108	500	12	102

Steel ball valves, reduced bore with gears and actuators

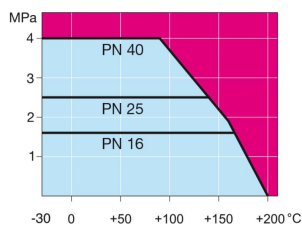
welding/welding, EN (DIN), DN 100-600, with manual gear

Body: DN 10–500 Steel, P235GH (1.0345)
 DN 600–800 Steel, P355 NL1 (1.0566)/ GP240GH (1.0619)
 Ball: DN 10–600 Stainless steel, X5CrNi18-10 (1.4301)
 DN 700–800 Steel + stainless plating, ASTM A350 LF2+Ni
 Stem: Stainless steel, X8CrNiS18-9 (1.4305)
 Stem seals: FPM
 Ball seals: PTFE+C
 Operation: Valve is equipped with manual gear.
 For type and features of manual gear please refer to:
www.vexve.com/en/actuators.

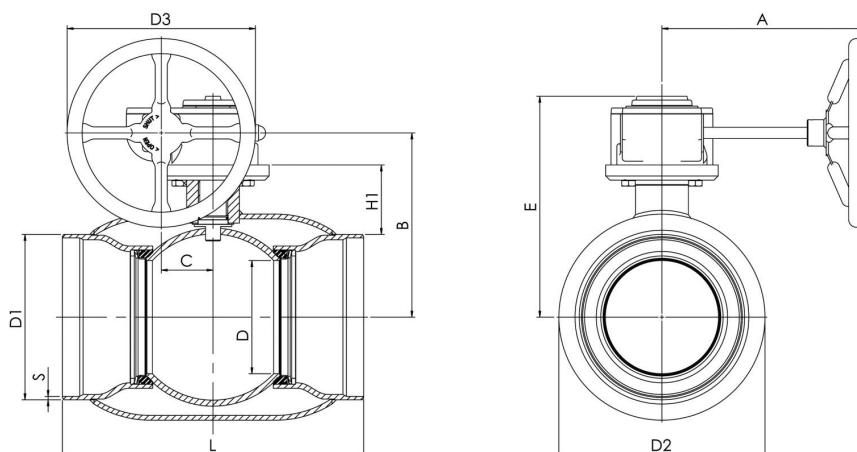


Operating conditions

-30°C - +200°C
 Below 0 °C contact manufacturer



Not for steam



Product no. Naval	DN	PN	A	B	C	D	D1	D2	D3	E	H	L	S	kg
284432	100	25	186	196	53	80	114.3	146	125	239	105	325	3.6	18
284433	125	25	224	216	53	100	139.7	177.8	200	259	112	325	4	20
284434	150	25	224	236	53	125	168.3	219.1	200	279	118	350	4.5	25
284436	200	25	268	244	69	150	219.1	273	250	293	92	400	4.5	49
284437	250	25	301	294	97	200	273	355.6	300	345	108	530	5	94
284438	300	25	363	343	117	250	323.9	457	500	412	132	550	5.6	152
284498	350	25	363	418	117	290	355.6	508	500	487	192	686	6.3	212
284439	400	25	444	500	138	340	406.4	610	500	573	242	762	7	293
284440	500	25	475	577	180	390	508	660	500	648	259	914	7	467
284441	600	25	475	644	180	489	610	813	500	715	274	1065	7.1	1025

Steel ball valves, reduced bore with gears and actuators

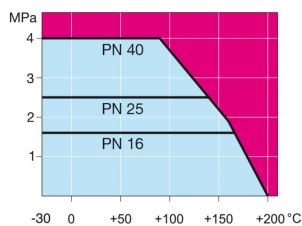
flange/flange, DN 100-600, with manual gear

Body: DN 10-500 Steel, P235GH (1.0345)
 DN 600-800 Steel, P355 NL1 (1.0566)/ GP240GH (1.0619)
 Ball: DN 10-600 Stainless steel, X5CrNi18-10 (1.4301)
 DN 700-800 Steel + stainless plating, ASTM A350 LF2+Ni
 Stem: Stainless steel, X8CrNiS18-9 (1.4305)
 Stem seals: FPM
 Ball seals: PTFE+C
 Flanges: EN 1092-1
 Available PN 10, 16, 25, 40
 Length: EN 558-1 (DIN 3202) DN 15-200
 Operation: Valve is equipped with manual gear.
 For type and features of manual gear please refer to:
www.vexve.com/en/actuators.

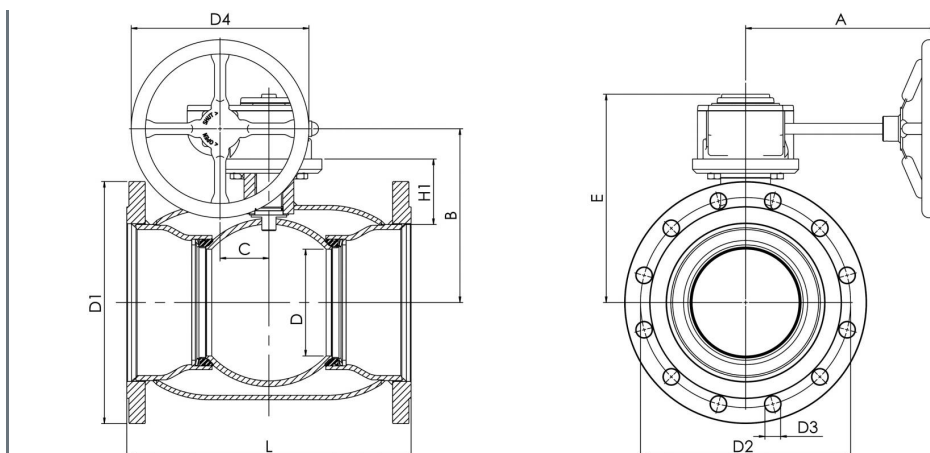


Operating conditions

-30°C - +200°C
 Below 0 °C contact manufacturer



Not for steam

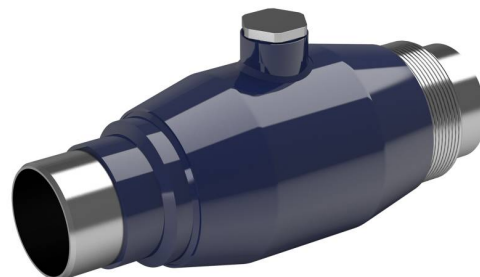


Product no. Naval	DN	PN	A	B	C	D	D1	D2	D3	D4	E	H1	L	Holes	kg
285532	100	16	186	206	53	80	220	180	18	125	248	114	300	8	23
285533	125	16	224	216	53	100	250	210	18	200	258	112	325	8	30
285534	150	16	224	236	53	125	285	240	22	200	279	118	350	8	37
285536	200	16	268	244	69	150	340	295	22	250	293	92	400	12	68
285537	250	16	301	294	97	200	405	355	26	300	345	108	500	12	122
285538	300	16	363	343	118	250	460	410	26	500	412	115	500	12	190
285575	350	16	363	418	118	290	520	470	26	500	487	192	706	16	268
285539	400	16	444	500	138	340	580	525	30	500	573	242	810	16	365
285540	500	16	475	577	180	390	715	650	33	500	648	259	978	20	595
285541	600	16	475	644	180	489	840	770	36	500	715	274	1130	20	1230

Special purpose ball valves

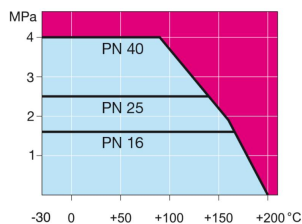
welding/welding, EN (DIN), DN 20-150, Hot tapping valve

Body: Steel, P235GH (1.0345)
 Ball: Stainless steel, X5CrNi18-10 (1.4301)
 Stem: Stainless steel, X8CrNiS18-9 (1.4305)
 Stem seals: FPM
 Ball seals: PTFE+C

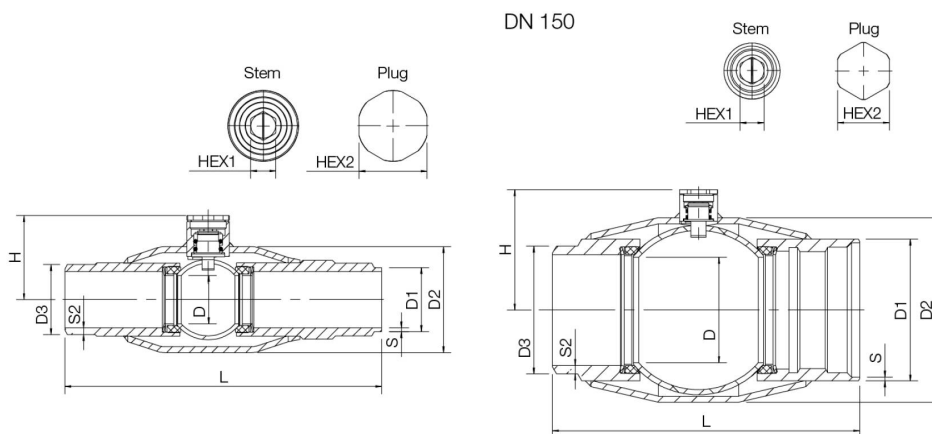


Operating conditions

-30°C - +200°C
 Below 0 °C contact manufacturer



Not for steam



Product no. Naval	DN	PN	D	D1	D2	D3	H	L	S	S2	HEX1	HEX2	kg
281485	20	40	20	26.9	48.3	33.7	42	170	2.3	5.8	9	22	1.1
281486	25	40	25	33.7	60.3	36.5	46	209	2.6	4.3	9	22	1.5
281487	32	40	32	42.2	70	46.2	55	209	2.6	4.5	10	27	2
281488	40	40	40	48.3	88.9	52.1	63	228	2.6	4.5	10	27	2.7
281489	50	40	50	60.3	101.6	64.5	74	260	2.6	5	15	32	4.5
281490	65	25	65	76.1	121	80.3	88	280	2.9	5	15	32	5.5
281491	80	25	80	88.9	146	94.5	102	312	3.2	6	15	36	10.1
281492	100	25	100	114	177.8	122.1	123	349	3.5	7.5	19	41	18
281493	125	25	125	139.7	219.1	151.7	143	363	5.6	10	19	41	29.9
281494	150	25	125	168.3	219.1	151.7	143	365	4.5	10	19	41	29.9

Note! DN 150 with reduced bore

Gas ball valves, reduced bore

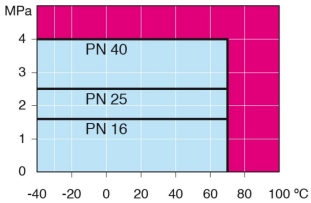
welding/welding, EN (DIN), DN 10-250

- Body: DN 10–500 Steel, P235GH (1.0345)
 DN 600–800 Steel, P355 NL1 (1.0566)/ GP240GH (1.0619)
- Ball: DN 10–600 Stainless steel, X5CrNi18-10 (1.4301)
 DN 700–800 Steel + stainless plating, ASTM A350 LF2+Ni
- Stem: Stainless steel, X8CrNiS18-9 (1.4305)
- Stem seals: NBR
- Ball seals: PTFE+C
- Operation: With zinc-plated steel handle
 We recommend manual gear operation for sizes DN 200 and larger



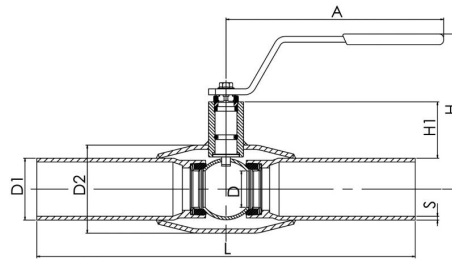
Operating conditions

- 40 °C - +70 °C
- Over 70 °C contact manufacturer
- Below -30 °C contact manufacturer

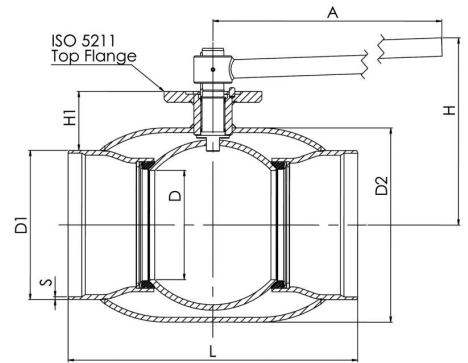


Not for steam

DN 10 - 150



DN 200 - 250



Product no. Naval	DN	PN	A	D	D1	D2	H	H1	L	S	kg
280402	10	40	145	10	17.2	33.7	98	22	230	2	0.6
280403	15	40	145	10	21.3	33.7	98	22	230	2	0.6
280405	20	40	145	15	26.9	42.4	103	23	230	2.3	0.8
280406	25	40	145	20	33.7	48.3	118	34	230	2.6	1
280407	32	40	145	25	42.4	60.3	121	33	260	2.6	1.4
280408	40	40	188	32	48.3	70	120	43	260	2.6	1.8
280409	50	40	188	40	60.3	88.9	127	44	300	2.9	2.6
280410	65	25	277.5	50	76.1	101.6	159	62	300	2.9	4
280411	80	25	277.5	65	88.9	121	171	68	300	3.2	5.3
280412	100	25	278.5	80	114.3	146	218	101	325	3.6	8.3
280413	125	25	400	100	139.7	177.8	252	101	325	4	13.4
280414	150	25	600	125	168.3	219.1	272	107	350	4.5	18
280416	200	25	870	150	219.1	273	280	92	400	4.5	39
280417	250	25	1200	200	273	355.6	350	108	530	5	74

Gas ball valves, reduced bore

female threads/female threads, DN 15-50

Body:	DN 10–500 Steel, P235GH (1.0345) DN 600–800 Steel, P355 NL1 (1.0566)/ GP240GH (1.0619)
Ball:	DN 10–600 Stainless steel, X5CrNi18-10 (1.4301) DN 700–800 Steel + stainless plating, ASTM A350 LF2+Ni
Stem:	Stainless steel, X8CrNiS18-9 (1.4305)
Stem seals:	NBR
Ball seals:	PTFE+C
Threads:	ISO 7-1 Rp
Length:	EN 16722
Operation:	With zinc-plated steel handle

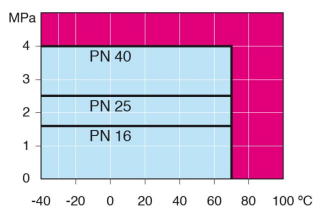


Operating conditions

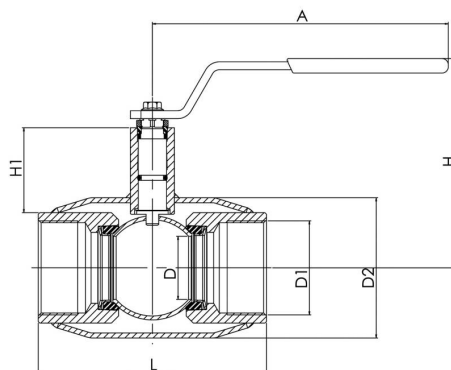
-40°C - +70°C

Over 70°C contact manufacturer

Below -30°C contact manufacturer



Not for steam



Product no. Naval	DN	PN	A	D	D1	D2	H	H1	L	kg
280153	15	40	145	10	R 1/2	33.7	98	22	85	0.5
280155	20	40	145	15	R 3/4	42.4	103	23	100	0.6
280156	25	40	145	20	R 1	48.3	118	34	115	1
280157	32	40	145	25	R 1 1/4	60.3	121	33	130	1.2
280158	40	40	188	32	R 1 1/2	70	120	43	150	1.8
280159	50	40	188	40	R 2	88.9	127	44	180	2.3

Gas ball valves, reduced bore

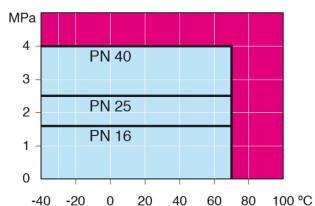
flange/flange, DN 15-250

- Body: DN 10–500 Steel, P235GH (1.0345)
 DN 600–800 Steel, P355 NL1 (1.0566)/ GP240GH (1.0619)
- Ball: DN 10–600 Stainless steel, X5CrNi18-10 (1.4301)
 DN 700–800 Steel + stainless plating, ASTM A350 LF2+Ni
- Stem: Stainless steel, X8CrNiS18-9 (1.4305)
- Stem seals: NBR
- Ball seals: PTFE+C
- Flanges: EN 1092-1
 Available PN 10, 16, 25, 40
- Length: EN 558-1 (DIN 3202) DN 15–200
- Operation: With zinc-plated steel handle
 We recommend manual gear operation for sizes DN 200 and larger



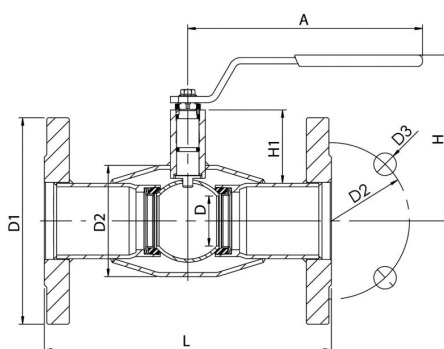
Operating conditions

-40°C - +70°C
 Over 70°C contact manufacturer
 Below -30°C contact manufacturer

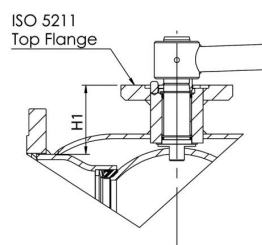


Not for steam

DN 15 - 150



DN 200- 250

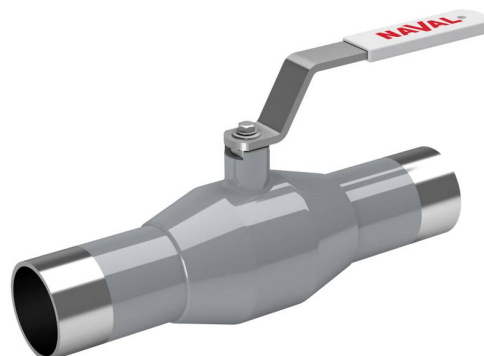


Product no. Naval	DN	PN	A	D	D1	D2	D3	H	H1	L	Holes	kg
280503	15	40	145	10	95	65	14	98	22	130	4	1.8
280505	20	40	145	15	105	75	14	103	23	150	4	2.5
280506	25	40	145	20	115	85	14	118	34	160	4	3.3
280507	32	40	145	25	140	100	18	121	33	180	4	5
280508	40	40	188	32	150	110	18	120	43	200	4	5.8
280509	50	40	188	40	165	125	18	127	44	230	4	7.8
280510	65	16	277.5	50	185	145	18	159	62	270	8	10.5
280511	80	16	277.5	65	200	160	18	171	68	280	8	12.5
280512	100	16	278.5	80	220	180	18	218	101	300	8	17
280513	125	16	400	100	250	210	18	252	101	325	8	25
280514	150	16	600	125	285	240	22	272	107	350	8	33
280516	200	16	870	150	340	295	22	280	92	400	12	58
280517	250	16	1200	200	405	355	26	350	108	500	12	102

Stainless steel ball valves, reduced bore

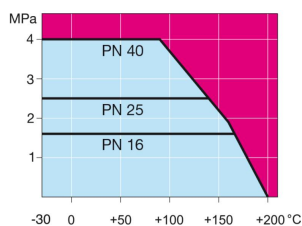
welding/welding, EN (DIN), DN 10-250

Body: Stainless steel, X2CrNiMo17-12-2 (1.4404)
 Ball: Stainless steel, X2CrNiMo17-12-2 (1.4404)
 Stem: Stainless steel, X2CrNiMo17-12-2 (1.4404)
 Stem seals: FPM/NBR
 Ball seals: PTFE+C
 Operation: DN 10–50 with stainless steel handle.
 DN 65–250 with zinc-plated steel handle.



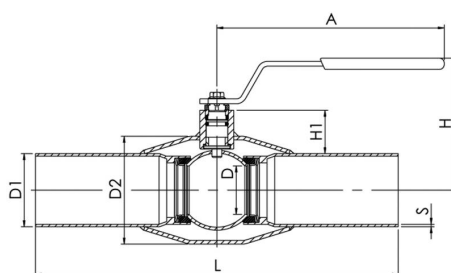
Operating conditions

-30 °C - +200 °C
 Below -10 °C contact manufacturer

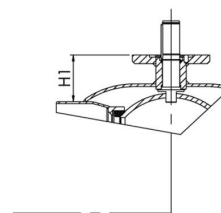


Not for steam

DN 10 - 150



DN 200 - 250

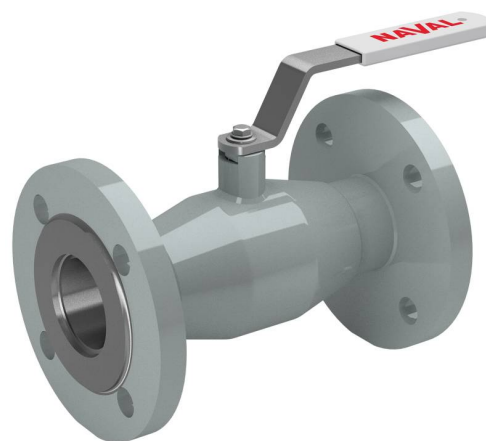


Product no. Naval	DN	PN	A	D	D1	D2	H	H1	L	S	kg
286402	10	40	145	10	17.2	33.7	98	23	230	2	0.5
286403	15	40	145	10	21.3	33.7	98	21	230	2	0.5
286405	20	40	145	15	26.9	42.4	103	22	230	2	0.7
286406	25	40	145	20	33.7	48.3	112	28	230	2	0.8
286407	32	40	145	25	42.4	60.3	116	27	260	2	1.2
286408	40	40	188	32	48.3	70	111	34	260	2.5	1.8
286409	50	40	188	40	60.3	88.9	118	34	300	3	2.2
286410	65	25	278	50	76.1	114.3	150	51	300	3	3.8
286411	80	25	278	65	88.9	131	160	58	300	3	4.7
286412	100	25	278	80	114.3	156	175	54	325	3	6.7
286413	125	25	400	100	139.7	177.8	220	68	325	4	13
286414	150	25	600	125	168.3	219.1	240	74	350	4	18
286416	200	25	870	150	219.1	273	280	92	400	4	32
286417	250	25	1200	200	273	355.6	340	108	530	4	63

Stainless steel ball valves, reduced bore

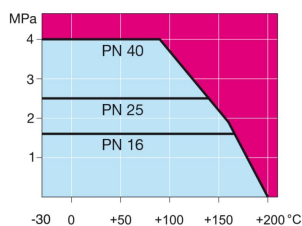
flange/flange, DN 15-250

Body: Stainless steel, X2CrNiMo17-12-2 (1.4404)
 Ball: Stainless steel, X2CrNiMo17-12-2 (1.4404)
 Stem: Stainless steel, X2CrNiMo17-12-2 (1.4404)
 Stem seals: FPM/NBR
 Ball seals: PTFE+C
 Flanges: EN 1092-1
 Available PN 10, 16, 25, 40
 Length: EN 558-1 (DIN 3202) DN 15-200
 Operation: DN 10-50 with stainless steel handle.
 DN 65-250 with zinc-plated steel handle.



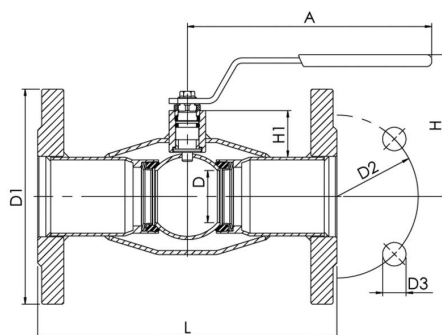
Operating conditions

-30 °C - +200 °C
 Below -10 °C contact manufacturer

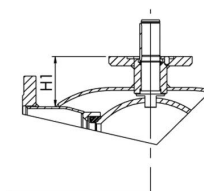


Not for steam

DN 15 - 150



DN 200 - 250



Product no. Naval	DN	PN	A	D	D1	D2	D3	H	H1	L	Holes	kg
286553	15	40	145	10	95	65	14	99	21	130	4	1.9
286555	20	40	145	15	105	75	14	103	22	150	4	2.7
286556	25	40	145	20	115	85	14	113	28	160	4	3.4
286557	32	40	145	25	140	100	18	116	27	180	4	5
286558	40	40	188	32	150	110	18	112	34	200	4	6.1
286559	50	40	188	40	165	125	18	118	34	230	4	8.5
286560	65	16	278	50	185	145	18	148	51	270	8	10.5
286561	80	16	278	65	200	160	18	160	58	280	8	12
286562	100	16	278	80	220	180	18	171	54	300	8	15.5
286563	125	16	400	100	250	210	18	220	68	325	8	21
286564	150	16	600	125	285	240	22	240	74	350	8	25
286566	200	16	870	150	340	295	22	281	92	400	12	50
286567	250	16	1200	200	405	355	26	343	108	550	12	90

Balancing valves, steel

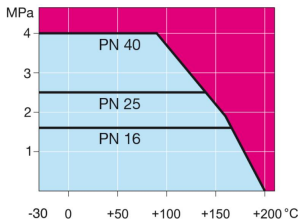
welding/welding, EN (DIN), DN 15-300

Body: Steel, P235GH (1.0345)
 Ball: Stainless steel, X5CrNi18-10 (1.4301)
 Stem: Stainless steel, X8CrNiS18-9 (1.4305)
 Stem seals: FPM
 Ball seals: PTFE+GF
 Operation: DN 15–150 with zinc-plated steel handle
 DN 200–300 with manual gear



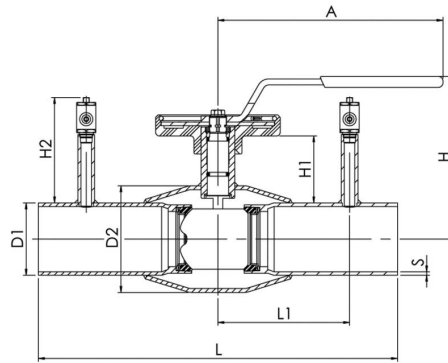
Operating conditions

-30°C - +200°C
 Below 0 °C contact manufacturer

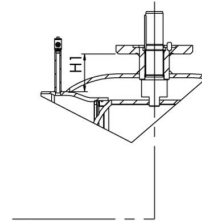


Not for steam

DN 15 - 150



DN 200 - 300



Product no. Naval	DN	PN	A	D1	D2	H	H1	H2	L	L1	S	kg
264403V	15	40	145	21.3	42.4	134	50	93	230	65	2.3	1.3
264405V	20	40	145	26.9	42.4	136	53	93	230	65	2.3	1.4
264406V	25	40	145	33.7	48.3	142	55	93	230	65	2.6	1.7
264407V	32	40	145	42.4	60.3	144	53	93	260	80	2.6	1.8
264408V	40	40	188	48.3	70	143	60	93	260	80	2.6	2.6
264409V	50	40	188	60.3	88.9	149	60	93	300	100	2.9	3.5
264410V	65	25	280	76.1	101.6	160	58	108	300	110	2.9	4.8
264411V	80	25	280	88.9	121	173	64	108	300	110	3.2	6.1
264412V	100	25	280	114.3	146	219	98	130	325	122.5	3.6	9.4
264413V	125	25	400	139.7	177.8	253	100	130	325	137.5	4	16.2
264414V	150	25	600	168.3	219.1	276	110	130	350	150	4.5	21.3
264476V	200	25		219.1	273		72	128	400	180	4.5	45
264477V	250	25		273	355.6		88	128	530	225	5	89
264478V	300	25		323.9	457		112	128	550	245	5.6	140

Balancing valves, steel

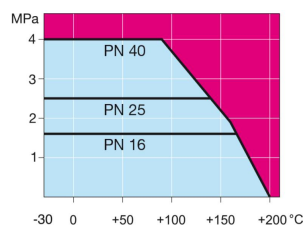
flange/flange, DN 15-300

Body: Steel, P235GH (1.0345)
 Ball: Stainless steel, X5CrNi18-10 (1.4301)
 Stem: Stainless steel, X8CrNiS18-9 (1.4305)
 Stem seals: FPM
 Ball seals: PTFE+GF
 Flanges: EN 1092-1
 Available PN 10, 16, 25, 40
 Operation: DN 15–150 with zinc-plated steel handle
 DN 200–300 with manual gear



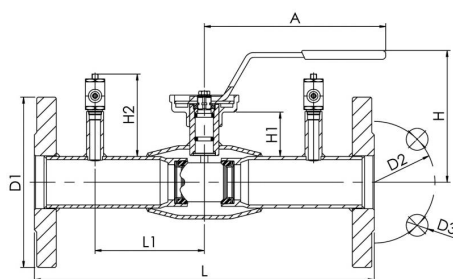
Operating conditions

-30°C - +200°C
 Below 0 °C contact manufacturer

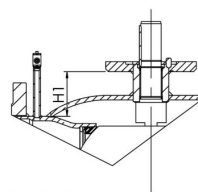


Not for steam

DN 15 - 150



DN 200 - 300



Product no. Naval	DN	PN	A	D1	D2	D3	H	H1	H2	L	L1	Holes	kg
265503V	15	40	145	95	65	14	134	50	93	250	65	4	2.5
265505V	20	40	145	105	75	14	136	53	93	250	65	4	3
265506V	25	40	145	115	85	14	142	55	93	240	65	4	3.7
265507V	32	40	145	140	100	18	144	53	93	280	80	4	5.1
265508V	40	40	188	150	110	18	143	60	93	270	80	4	6.2
265509V	50	40	188	165	125	18	149	60	93	310	100	4	8.4
265510V	65	16	280	185	145	18	160	58	108	310	110	8	10.5
265511V	80	16	280	200	160	18	173	64	108	310	110	8	12.6
265512V	100	16	280	220	180	18	219	98	132	350	122.5	8	17.5
265513V	125	16	400	250	210	18	253	100	130	360	137.5	8	26.1
265514V	150	16	600	285	240	22	276	110	131	370	150	8	34.6
265536V	200	16		340	295	22		72	128	425	172	12	60
265537V	250	16		405	355	26		88	128	550	225	12	114
265538V	300	16		460	410	26		112	98.9	580	272	12	168

Balancing valves, stainless steel

welding/welding, EN (DIN), DN 15-250

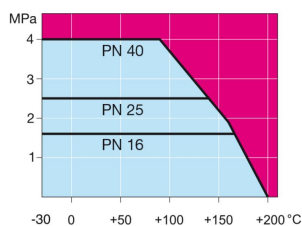
Body: Stainless steel, X2CrNiMo17-12-2 (1.4404)
 Ball: Stainless steel, X2CrNiMo17-12-2 (1.4404)
 Stem: Stainless steel, X2CrNiMo17-12-2 (1.4404)
 Stem seals: FPM/NBR
 Ball seals: PTFE+GF
 Operation: DN 15–50 with stainless steel handle
 DN 65–150 with zinc-plated steel handle
 DN 200–250 with manual gear



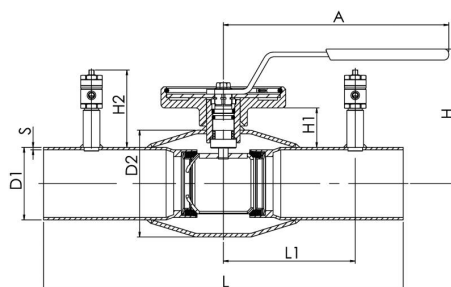
Operating conditions

-30 °C - +200 °C

Below -10 °C contact manufacturer



Not for steam



Product no. Naval	DN	PN	A	D1	D2	H	H1	H2	L	L1	S	kg
266403V	15	40	145	21.3	42.4	105	21	58	230	65	2	0.9
266405V	20	40	145	26.9	42.4	105	21	58	230	65	2	0.9
266406V	25	40	145	33.7	48.3	113	26	58	230	65	2	1.1
266407V	32	40	145	42.4	60.3	117	25	58	260	80	2	1.3
266408V	40	40	188	48.3	70	114	31	58	260	80	2.5	2.3
266409V	50	40	188	60.3	88.9	121	31	58	300	100	3	3.1
266410V	65	25	280	76.1	114.3	154	52	82	300	110	3	4.4
266411V	80	25	280	88.9	131	166	58	82	300	110	3	5.4
266412V	100	25	280	114.3	156	173	52	82	325	122.5	3	7.7
266413V	125	25	400	139.7	178	221	68	82	325	137.5	4	15.5
266414V	150	25	600	168.3	219.1	240	74	82	350	150	4	16.1
266436V	200	25		219.1	273		72	134	400	180	4	38.2
266437V	250	25		273	355.6		88	134	530	225	4	73.6

Balancing valves, stainless steel

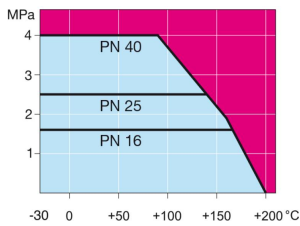
flange/flange, DN 15-250

Body: Stainless steel, X2CrNiMo17-12-2 (1.4404)
 Ball: Stainless steel, X2CrNiMo17-12-2 (1.4404)
 Stem: Stainless steel, X2CrNiMo17-12-2 (1.4404)
 Stem seals: FPM/NBR
 Ball seals: PTFE+GF
 Flanges: EN 1092-1
 Available PN 10, 16, 25, 40
 Operation: DN 15–50 with stainless steel handle
 DN 65–150 with zinc-plated steel handle
 DN 200–250 with manual gear

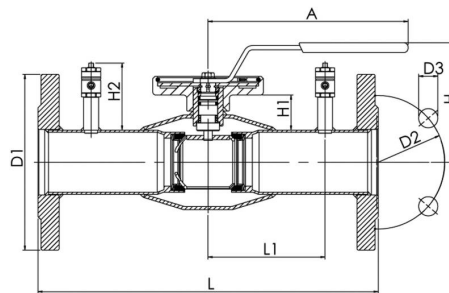


Operating conditions

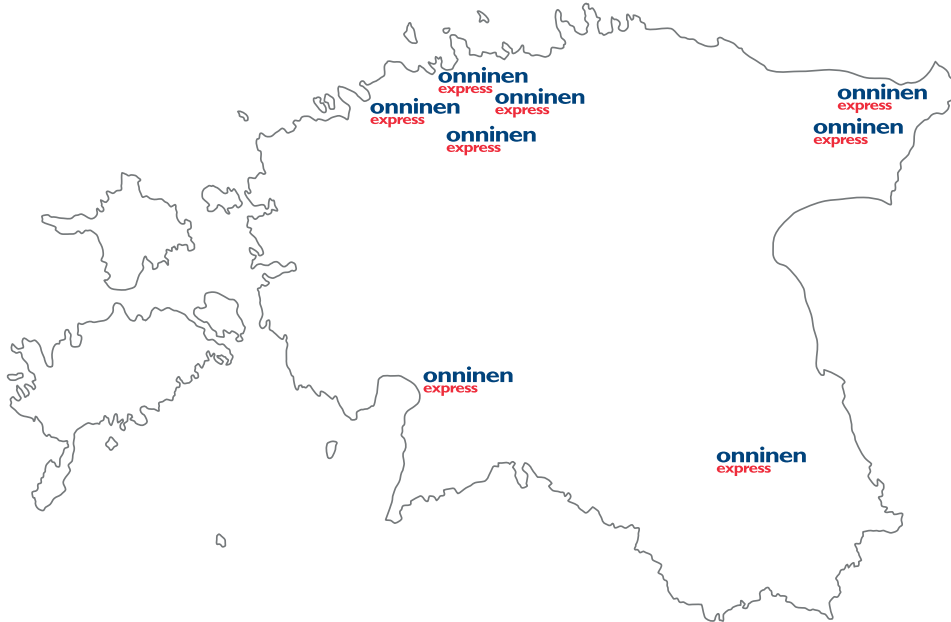
-30 °C - +200 °C
 Below -10 °C contact manufacturer



Not for steam



Product no. Naval	DN	PN	A	D1	D2	D3	H	H1	H2	L	L1	Holes	kg
266503V	15	40	145	95	65	14	105	21	58	250	65	4	2.1
266505V	20	40	145	105	75	14	105	21	58	250	65	4	2.6
266506V	25	40	145	115	85	14	113	26	58	240	65	4	3.1
266507V	32	40	145	140	100	18	117	25	58	280	80	4	4.7
266508V	40	40	188	150	110	18	114	31	58	270	80	4	6
266509V	50	40	188	165	125	18	121	31	58	310	100	4	8.1
266510V	65	16	280	185	145	18	160	58	82	310	110	8	10.1
266511V	80	16	280	200	160	18	173	64	82	310	110	8	12
266512V	100	16	280	220	180	18	173	52	82	350	122.5	8	15.9
266513V	125	16	400	250	210	18	221	68	82	355	137.5	8	25.6
266514V	150	16	600	285	240	22	240	74	82	370	150	8	30
266536V	200	16		340	295	22		72	133	425	172.5	12	56.7
266537V	250	16		405	355	26		88	133	550	225	12	103.9



onninen

ONNINEN EXPRESS LASNAMÄE

Betooni 6, 11415 Tallinn
Tel. + 372 6105 593
E-mail: lasnamae@onninen.com

ONNINEN EXPRESS JÕHVI

Linda 15c, 41536 Jõhvi
Tel. +372 3364 260
E-mail: johvi@onninen.com

ONNINEN EXPRESS PÄRNU

Kirsi 48, 80010
Tel. +372 5685 7500
E-mail: parnu@onninen.com

ONNINEN EXPRESS TARTU

Ringtee 37a, 51013 Tartu
Tel. +372 7337 000
E-mail: tartu@onninen.com

ONNINEN EXPRESS NARVA

Vahtra 5, 21003 Narva
Tel. +372 5918 1645
E-mail: narva@onninen.com

LOGISTIKAKESKUSE LAOMÜÜK

Taevavärava tee 2
Rae vald, 75306 Harjumaa
E-mail: stockgroup@onninen.com

ONNINEN EXPRESS MUSTAMÄE

Laki 13, 12915 Tallinn
Tel. +372 6644 030
E-mail: mustamae@onninen.com

ONNINEN EXPRESS KALAMAJA

Erika 14, 10416 Tallinn
Tel. +372 5384 1600
E-mail: kalamaja@onninen.com



Vexve Oy

Pajakatu 11
FI-38200 Sastamala
Finland

Tel. +358 10 734 0800

Riihenkalliontie 10
FI-23800 Laitila
Finland

vexve.customer@vexve.com

www.vexve.com

