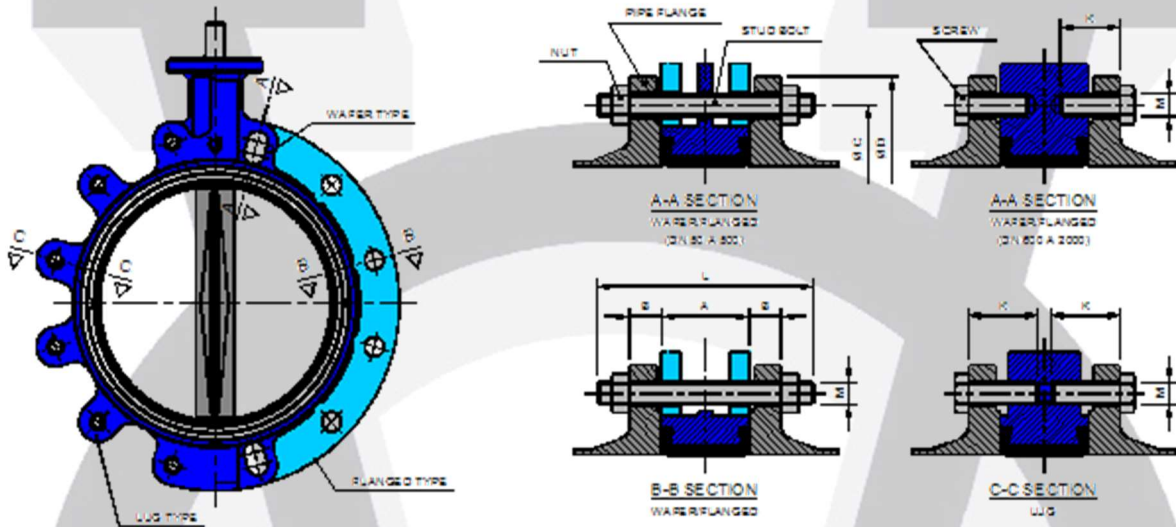


BOLTING FOR INSTALLATION OF "VAMEIN" BUTTERFLY VALVES



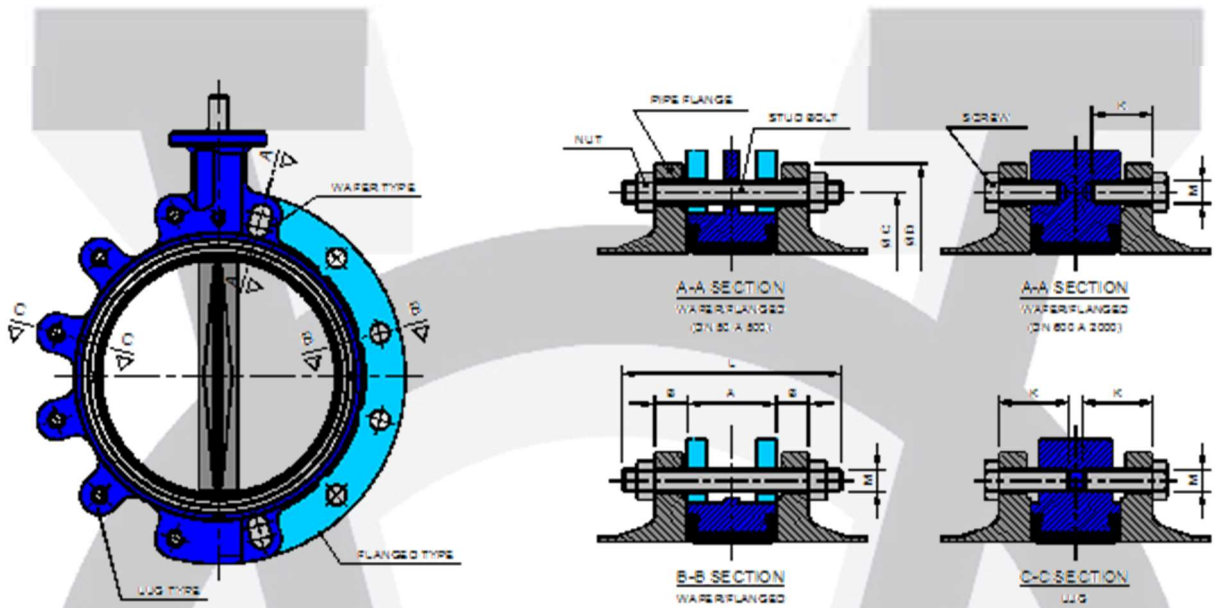
DIN PN-6 STANDARD

VALVE		FLANGES (DIN-2631)					BOLTING FOR WAFER AND FLANGED TYPE									BOLTS FOR LUG TYPE		
							STUD BOLTS			NUTS		SCREWS				SCREWS		
							LENGT	THREAD	QUANTITY	THREAD	QUANTITY	LENGT	THREAD	QUANTITY	LENGT	THREAD	QUANTITY	
mm	Inch	A	B	Ø C	Nº	Ø D	L	M	Nº	M	Nº	K	M	Nº	K	M	Nº	
50	2"	43	18	110	4	165	120	M-12	4	M-12	8	-	-	-	-	-	-	
65	2½"	46	18	130	4	185	125	M-12	4	M-12	8	-	-	-	-	-	-	
80	3"	46	20	150	4	200	130	M-16	4	M-16	8	-	-	-	40	M-16	8	
100	4"	52	20	170	4	220	135	M-16	4	M-16	8	-	-	-	-	-	-	
125	5"	56	22	200	8	250	140	M-16	8	M-16	16	-	-	-	-	-	-	
150	6"	56	22	225	8	285	150	M-16	8	M-16	16	-	-	-	-	-	-	
200	8"	60	24	280	8	340	160	M-16	8	M-16	16	-	-	-	-	-	-	
250	10"	68	26	335	12	395	170	M-16	12	M-16	24	-	-	-	-	-	-	
300	12"	78	26	395	12	445	180	M-20	12	M-20	24	-	-	-	-	-	-	
350	14"	78	-	-	-	-	-	-	-	-	-	-	-	-	-	-	-	
400	16"	102	-	-	-	-	-	-	-	-	-	-	-	-	-	-	-	
(*)450	18"	113	-	-	-	-	-	-	-	-	-	-	-	-	-	-	-	
500	20"	126	-	-	-	-	-	-	-	-	-	-	-	-	-	-	-	
600	24"	154	-	-	-	-	-	-	-	-	-	-	-	-	-	-	-	
700	28"	165	-	-	-	-	-	-	-	-	-	-	-	-	-	-	-	
750	30"	176	-	-	-	-	-	-	-	-	-	-	-	-	-	-	-	
800	32"	215	-	-	-	-	-	-	-	-	-	-	-	-	-	-	-	
900	36"	246	-	-	-	-	-	-	-	-	-	-	-	-	-	-	-	
1000	40"	280	-	-	-	-	-	-	-	-	-	-	-	-	-	-	-	
1050	42"	280	-	-	-	-	-	-	-	-	-	-	-	-	-	-	-	
1100	44"	280	-	-	-	-	-	-	-	-	-	-	-	-	-	-	-	
1200	48"	254	-	-	-	-	-	-	-	-	-	-	-	-	-	-	-	

(*): As per B.S. 4504 PN-6

Dimensions in mm.

For DN > 1200 consult our Technical Dept.



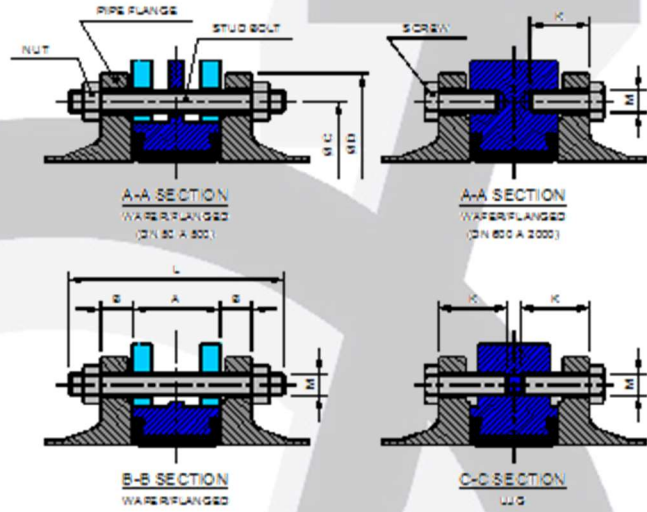
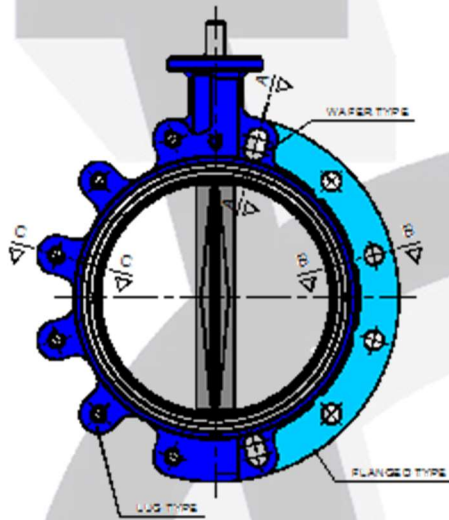
DIN PN-10 STANDARD

VALVE		FLANGES (DIN-2632)					BOLTING FOR WAVER AND FLANGED TYPE									BOLTS FOR LUG TYPE		
DN		FACE TO FACE	THICKNESS	BOLT CENTRE	QUANTITY	EXTERNAL DIAMETER	STUD BOLTS			NUTS		SCREWS			SCREWS			
							LENGHT	THREAD	QUANTITY	THREAD	QUANTITY	LENGHT	THREAD	QUANTITY	LENGHT	THREAD	QUANTITY	
mm	Inch	A	B	Ø C	Nº	Ø D	L	M	Nº	M	Nº	K	M	Nº	K	M	Nº	
50	2"	43	18	125	4	165	120	M-16	4	M-16	8				35	M-16	8	
65	2½"	46	18	145	4	185	125	M-16	4	M-16	8				35	M-16	8	
80	3"	46	20	160	8	200	130	M-16	8	M-16	16				40	M-16	16	
100	4"	52	20	180	8	220	135	M-16	8	M-16	16				40	M-16	16	
125	5"	56	22	210	8	250	140	M-16	8	M-16	16				45	M-16	16	
150	6"	56	22	240	8	285	150	M-20	8	M-20	16				45	M-20	16	
200	8"	60	24	295	8	340	160	M-20	8	M-20	16				50	M-20	16	
250	10"	68	26	350	12	395	170	M-20	12	M-20	24				55	M-20	24	
300	12"	78	26	400	12	445	180	M-20	12	M-20	24				60	M-20	24	
350	14"	78	26	460	16	505	180	M-20	16	M-20	32				60	M-20	32	
400	16"	102	26	515	16	565	215	M-24	16	M-24	32				70	M-24	32	
(*)450	18"	113	28	565	20	615	230	M-24	20	M-24	40				80	M-24	40	
500	20"	126	28	620	20	670	240	M-24	20	M-24	40				85	M-24	40	
600	24"	154	28	725	20	780	280	M-27	16	M-27	32	75	M-27	8	75	M-27	8	
															95	M-27	32	
700	28"	165	30	840	24	895	295	M-27	20	M-27	40	75	M-27	8				
750	30"	176	-	-	-	-	-	-	-	-	-	-	-	-				
800	32"	215	32	950	24	1015	355	M-30	20	M-30	40	90	M-30	8				
900	36"	246	34	1050	28	1115	390	M-30	24	M-30	48	90	M-30	8				
1000	40"	280	34	1160	28	1230	430	M-33	24	M-33	48	90	M-33	8				
1050	42"	280	-	-	-	-	-	-	-	-	-	-	-	-				
1100	44"	280	-	-	-	-	-	-	-	-	-	-	-	-				
1200	48"	254	38	1380	32	1455	420	M-36	28	M-36	56	95	M-36	8				

(*): As per B.S. 4504 PN-10

Dimensions in mm.

For DN > 1200 consult our Technical Dept.



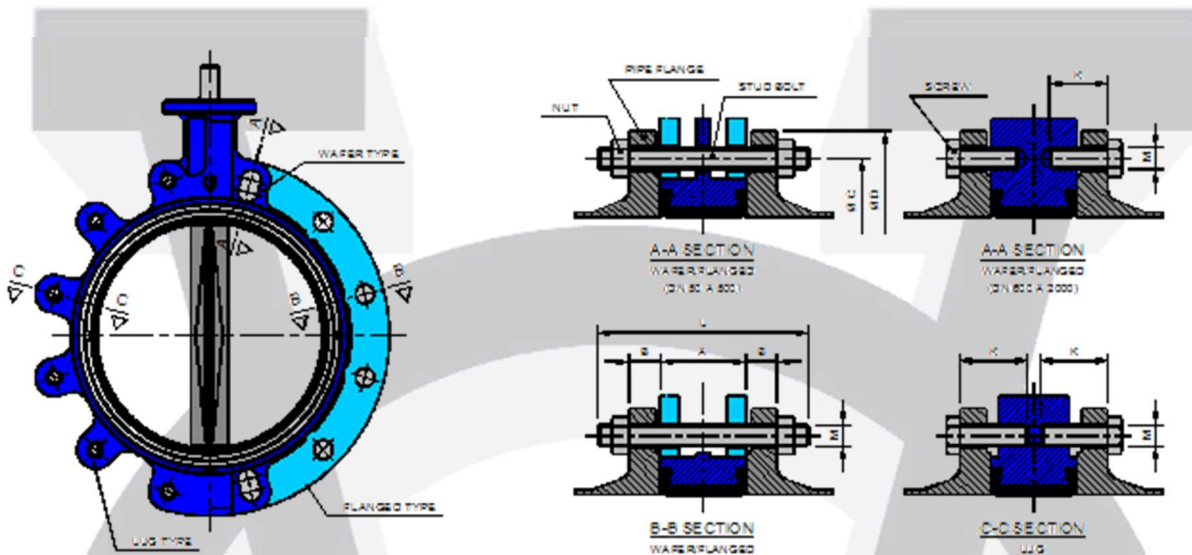
DIN PN-16 STANDARD

VALVE		FLANGES (DIN-2633)					BOLTING FOR WAFER AND FLANGED TYPE									BOLTS FOR LUG TYPE		
DN		FACE TO FACE	THICKNESS		BOLT CENTRE	EXTERNAL DIAMETER	STUD BOLTS			NUTS		SCREWS			SCREWS			
			A	B			LENGTH	THREAD	QUANTITY	THREAD	QUANTITY	LENGTH	THREAD	QUANTITY	LENGTH	THREAD	QUANTITY	
mm	Inch	A	B	Ø C	N°	Ø D	L	M	N°	M	N°	K	M	N°	K	M	N°	
50	2"	43	18	125	4	165	120	M-16	4	M-16	8				35	M-16	8	
65	2½"	46	18	145	4	185	125	M-16	4	M-16	8				35	M-16	8	
80	3"	46	20	160	8	200	130	M-16	8	M-16	16				40	M-16	16	
100	4"	52	20	180	8	220	135	M-16	8	M-16	16				40	M-16	16	
125	5"	56	22	210	8	250	140	M-16	8	M-16	16				45	M-16	16	
150	6"	56	22	240	8	285	150	M-20	8	M-20	16				45	M-20	16	
200	8"	60	24	295	12	340	160	M-20	12	M-20	24				50	M-20	24	
250	10"	68	26	355	12	405	180	M-24	12	M-24	24				55	M-24	24	
300	12"	78	28	410	12	460	195	M-24	12	M-24	24				65	M-24	24	
350	14"	78	30	470	16	520	195	M-24	16	M-24	32				65	M-24	32	
400	16"	102	32	525	16	580	235	M-27	16	M-27	32				80	M-27	32	
(-)450	18"	113	34	585	20	640	250	M-27	20	M-27	40				85	M-27	40	
500	20"	126	34	650	20	715	270	M-30	20	M-30	40				95	M-30	40	
600	24"	154	36	770	20	840	290	M-33	16	M-33	32	80	M-33	8	85 100	M-33 M-33	8 32	
700	28"	165	36	840	24	910	315	M-33	20	M-33	40	80	M-33	8				
750	30"	176	-	-	-	-	-	-	-	-	-	-	-	-				
800	32"	215	38	950	24	1025	380	M-36	20	M-36	40	90	M-36	8				
900	36"	246	40	1050	28	1125	415	M-36	24	M-36	48	90	M-36	8				
1000	40"	280	42	1170	28	1255	460	M-39	24	M-39	48	90	M-39	8				
1050	42"	280	-	-	-	-	-	-	-	-	-	-	-	-				
1100	44"	280	-	-	-	-	-	-	-	-	-	-	-	-				
1200	48"	254	48	1390	32	1485	460	M-45	28	M-45	56	105	M-45	8				

(*): As per B.S. 4504 PN-16

Dimensions in mm.

For DN > 1200 consult our Technical Dept.



ASME B 16.5 CLASS 150 Lbs. STANDARD

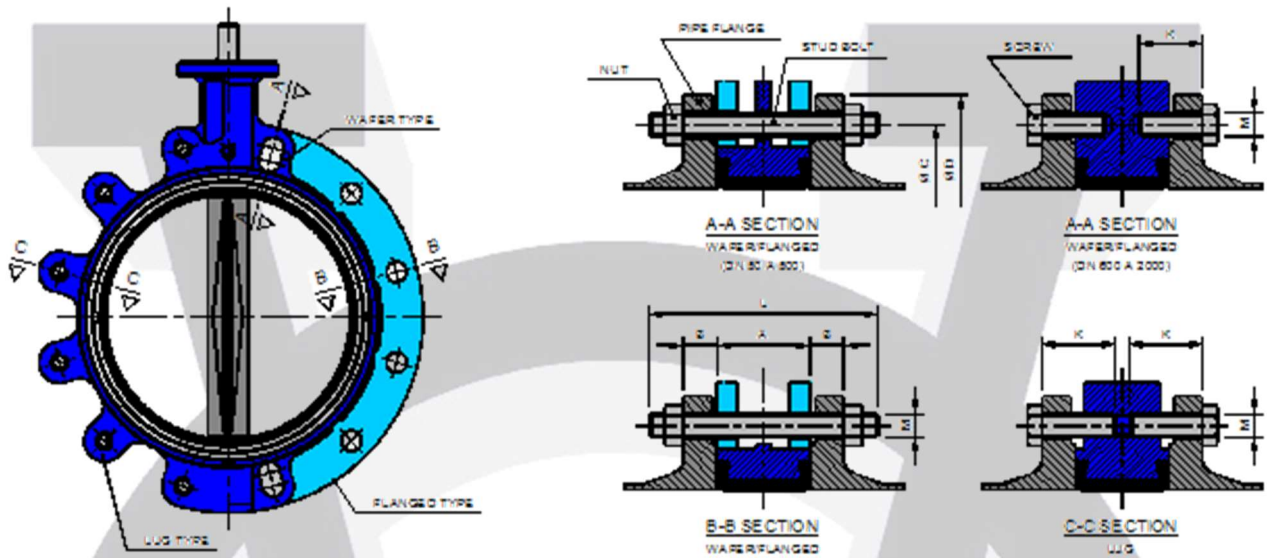
VALVE		FLANGES					BOLTING FOR WAVER AND FLANGED TYPE									BOLTS FOR LUG TYPE		
DN	FACE TO FACE	THICKNESS	BOLT CENTRE	QUANTITY	EXTERNAL DIAMETER	STUD BOLTS			NUTS		SCREWS			SCREWS				
						LENGHT	THREAD	QUANTITY	THREAD	QUANTITY	LENGHT	THREAD	QUANTITY	LENGHT	THREAD	QUANTITY		
mm	Inch	A	B	Ø C	Nº	Ø D	L	M	Nº	M	Nº	K	M	Nº	K	M	Nº	
50	2"	43	19,1	120,6	4	152,4	120	5/8"UNC	4	5/8"UNC	8				35	5/8"UNC	8	
65	2½"	46	22,2	139,7	4	177,8	130	5/8"UNC	4	5/8"UNC	8				40	5/8"UNC	8	
80	3"	46	23,8	152,4	4	190,5	135	5/8"UNC	4	5/8"UNC	8				40	5/8"UNC	8	
100	4"	52	23,8	190,5	8	228,6	140	5/8"UNC	8	5/8"UNC	16				45	5/8"UNC	16	
125	5"	56	23,8	215,9	8	254,0	155	3/4"UNC	8	3/4"UNC	16				45	3/4"UNC	16	
150	6"	56	25,4	241,3	8	279,4	155	3/4"UNC	8	3/4"UNC	16				45	3/4"UNC	16	
200	8"	60	28,6	298,4	8	342,9	165	3/4"UNC	8	3/4"UNC	16				50	3/4"UNC	16	
250	10"	68	30,2	361,9	12	406,4	185	7/8"UNC	12	7/8"UNC	24				60	7/8"UNC	24	
300	12"	78	31,7	431,8	12	482,6	200	7/8"UNC	12	7/8"UNC	24				65	7/8"UNC	24	
350	14"	78	34,9	476,2	12	533,4	215	1"UNC	12	1"UNC	24				70	1"UNC	24	
400	16"	102	36,5	539,7	16	596,9	245	1"UNC	16	1"UNC	32				85	1"UNC	32	
450	18"	113	39,7	577,8	16	635,0	265	1½"UN	16	1½"UN	32				90	1½"UN	32	
500	20"	126	42,9	635	20	698,5	285	1½"UN	20	1½"UN	40				100	1½"UN	40	
600	24"	154	47,6	749,3	20	812,8	295	1¼"UN	16	1¼"UN	32	95	1¼"UN	8	90	1¼"UN	8	
															110	1¼"UN	32	

ASME B 16.47 CLASS 150. A SERIES STANDARD

650	26"	175	68,0	806,45	24	869,9	380	1½"UN	20	1½"UN	40	110	1¼"UN	8			
700	28"	165	71,4	863,6	28	927,1	380	1½"UN	24	1½"UN	48	105	1¼"UN	8			
750	30"	176	74,6	914,4	28	984,2	400	1½"UN	24	1½"UN	48	120	1¼"UN	8			
800	32"	215	81,0	977,9	28	1060,4	460	1½"UN	24	1½"UN	48	135	1½"UN	8			
900	36"	246	90,5	1085,8	32	1168,4	510	1½"UN	28	1½"UN	56	140	1½"UN	8			
1000	40"	280	90,5	1200,1	36	1289,0	545	1½"UN	32	1½"UN	64	145	1½"UN	8			
1050	42"	280	96,8	1257,3	36	1346,2	570	1½"UN	32	1½"UN	64	155	1½"UN	8			
1100	44"	280	101,6	1314,5	40	1403,4	580	1½"UN	36	1½"UN	72	160	1½"UN	8			
1200	48"	254	108,0	1422,4	44	1511,3	564	1½"UN	40	1½"UN	80	110	1½"UN	8			

Dimensions in mm.

For DN > 1200 consult our Technical Dept.



B.S. 10 TABLE-E STANDARD

VALVE		FLANGES (AS-2129)					BOLTING FOR WAVER AND FLANGED TYPE									BOLTS FOR LUG TYPE		
DN	FACE TO FACE	THICKNESS	BOLT CENTRE	QUANTITY	EXTERNAL DIAMETER	STUD BOLTS			NUTS		SCREWS			SCREWS				
						LENGHT	THREAD	QUANTITY	THREAD	QUANTITY	LENGHT	THREAD	QUANTITY	LENGHT	THREAD	QUANTITY		
mm	Inch	A	B	Ø C	Nº	Ø D	L	M	Nº	M	Nº	K	M	Nº	K	M	Nº	
50	2"	43	19	114,3	4	152,4	120	5/8"UNC	4	5/8"UNC	8				35	5/8"UNC	8	
65	2½"	46	19	127,0	4	165,1	125	5/8"UNC	4	5/8"UNC	8				(1)	(1)	(1)	
80	3"	46	19	146,1	4	184,2	125	5/8"UNC	4	5/8"UNC	8				(1)	(1)	(1)	
100	4"	52	22	177,8	8	215,9	135	5/8"UNC	8	5/8"UNC	16				45	5/8"UNC	16	
125	5"	56	22	209,6	8	254,0	150	3/4"UNC	8	3/4"UNC	16				45	3/4"UNC	16	
150	6"	56	22	235,0	8	279,4	150	3/4"UNC	8	3/4"UNC	16				45	3/4"UNC	16	
200	8"	60	25	292,1	8	336,6	160	3/4"UNC	8	3/4"UNC	16				50	3/4"UNC	16	
250	10"	68	25	355,6	12	406,4	175	7/8"UNC	12	7/8"UNC	24				55	7/8"UNC	24	
300	12"	78	29	406,4	12	457,2	190	7/8"UNC	12	7/8"UNC	24				65	7/8"UNC	24	
350	14"	78	32	469,9	12	527,1	210	1"UNC	12	1"UNC	24				65	1"UNC	24	
400	16"	102	32	520,7	12	577,9	235	1"UNC	12	1"UNC	24				(1)	(1)	(1)	
450	18"	113	35	584,2	16	641,4	255	1½"UN	16	1½"UN	32				85	1½"UN	32	
500	20"	126	38	641,4	16	704,9	275	1½"UN	16	1½"UN	32				(1)	(1)	(1)	
600	24"	154	48	755,7	16	825,5	310	1¼"UN	12	1¼"UN	24	95	1¼"UN	8	(1)	(1)	(1)	
700	28"	165	51	845,0	20	910,0	345	1¼"UN	16	1¼"UN	32	95	1¼"UN	8				
750	30"	176	54	927,1	20	997,0	365	1¼"UN	16	1¼"UN	32	100	1¼"UN	8				
800	32"	215	54	984,0	20	1060	420	1½"UN	16	1½"UN	32	110	1½"UN	8				
900	36"	246	64	1092,2	24	1174,8	470	1½"UN	20	1½"UN	40	120	1½"UN	8				
1000	40"	280	67	1175	24	1255	510	1½"UN	20	1½"UN	40	125	1½"UN	8				
1050	42"	280	70	1251	28	1335	515	1½"UN	24	1½"UN	48	130	1½"UN	8				
1100	44"	280	-	-	-	-	-	-	-	-	-	-	-	-				
1200	48"	254	79	1410	32	1490	510	1½"UN	28	1½"UN	56	85	1½"UN	8				

(1): This standard is not possible in LUG TYPE valves. Dimensions in mm. For DN > 1200 consult our Technical Dept.